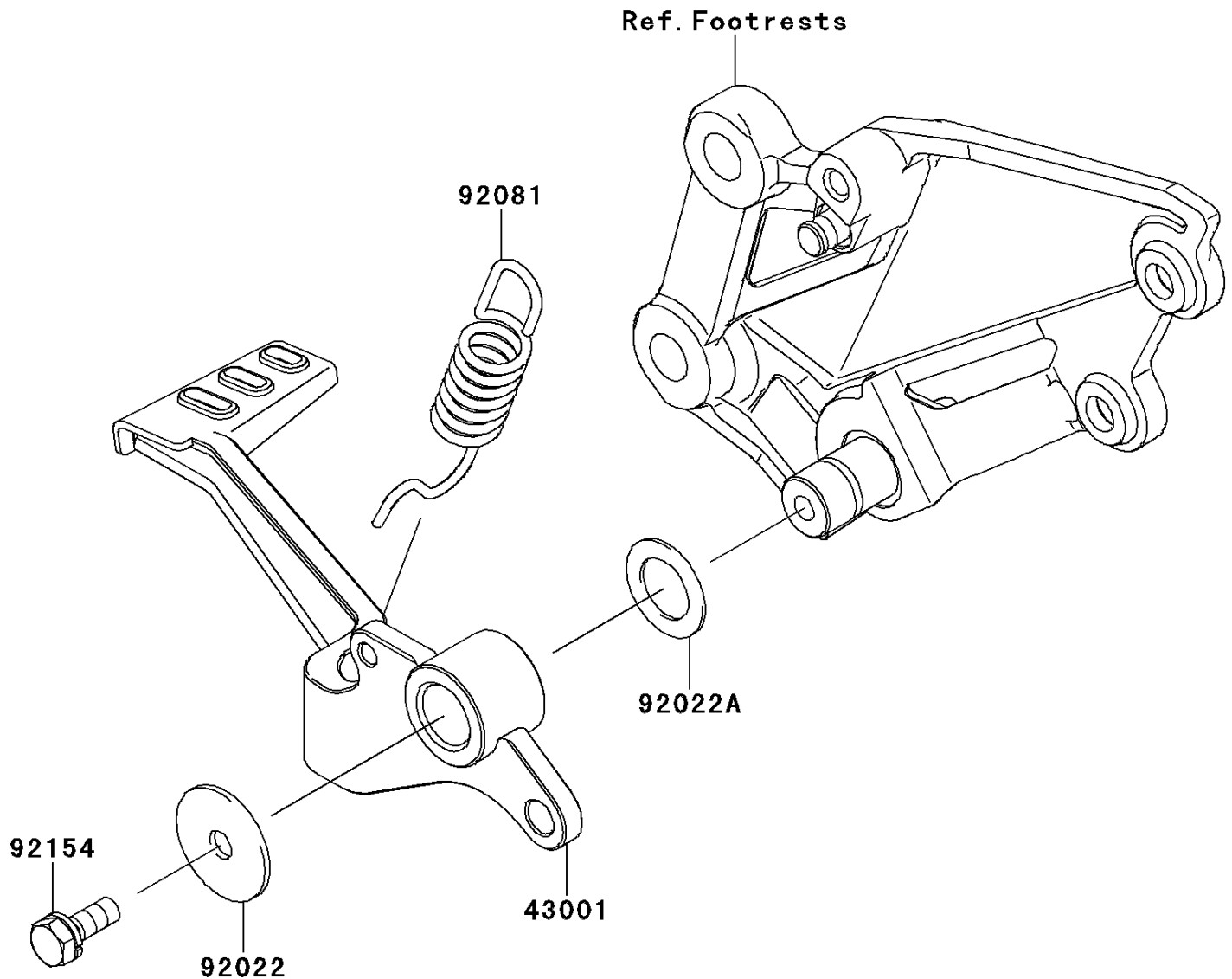


# 2014 NINJA<sup>®</sup> 300 SE

## PARTS DIAGRAM

### Brake Pedal/Torque Link



# 2014 NINJA<sup>®</sup> 300 SE

## PARTS LIST

### Brake Pedal/Torque Link

**ITEM NAME**

**PART NUMBER**

**QUANTITY**

---