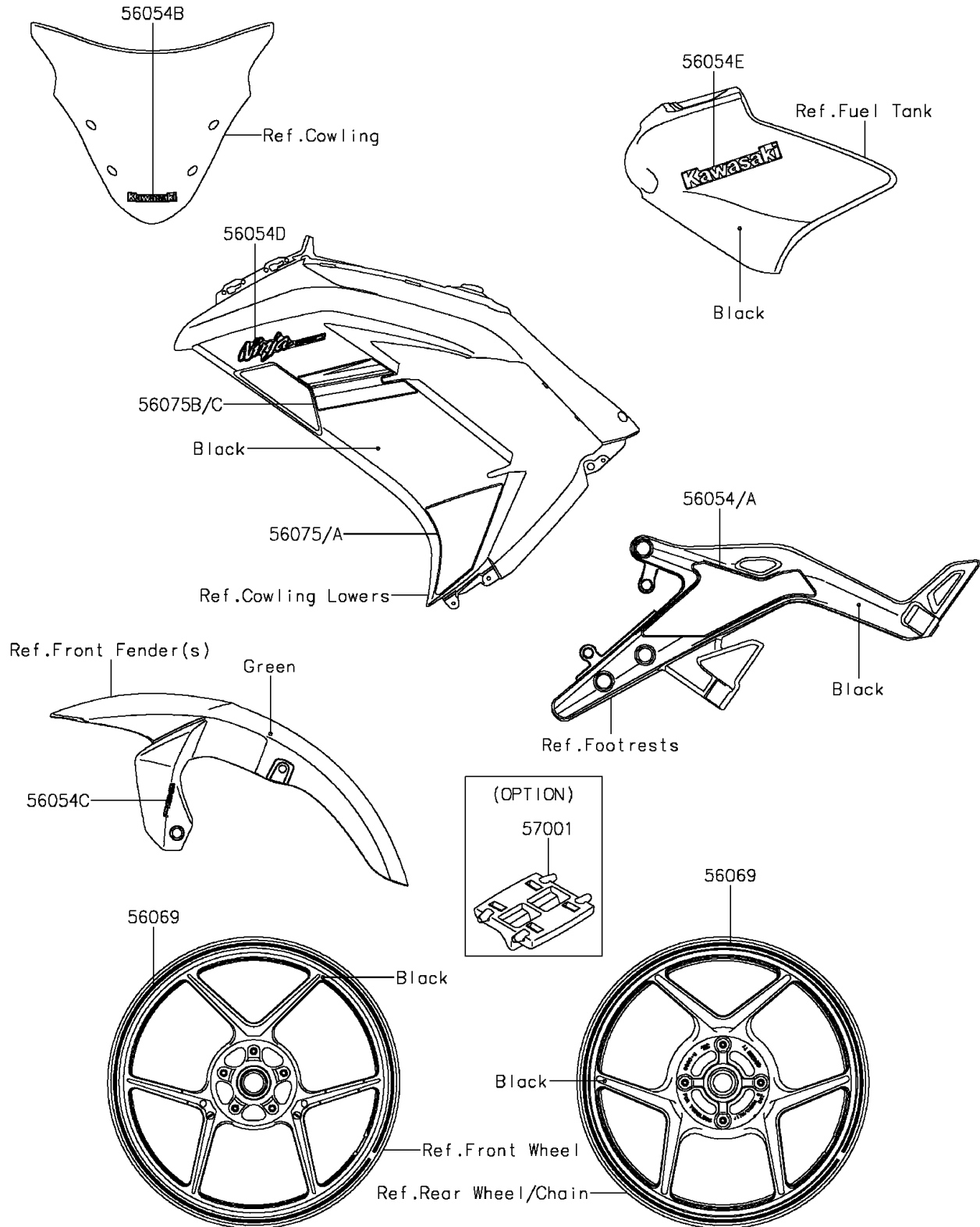


# 2016 Ninja® 650 ABS

## PARTS DIAGRAM

### Decals(Green)(FGF)

F2861H



# 2016 Ninja® 650 ABS

## PARTS LIST

Decals(Green)(FGF)

**ITEM NAME**

**PART NUMBER**

**QUANTITY**

---