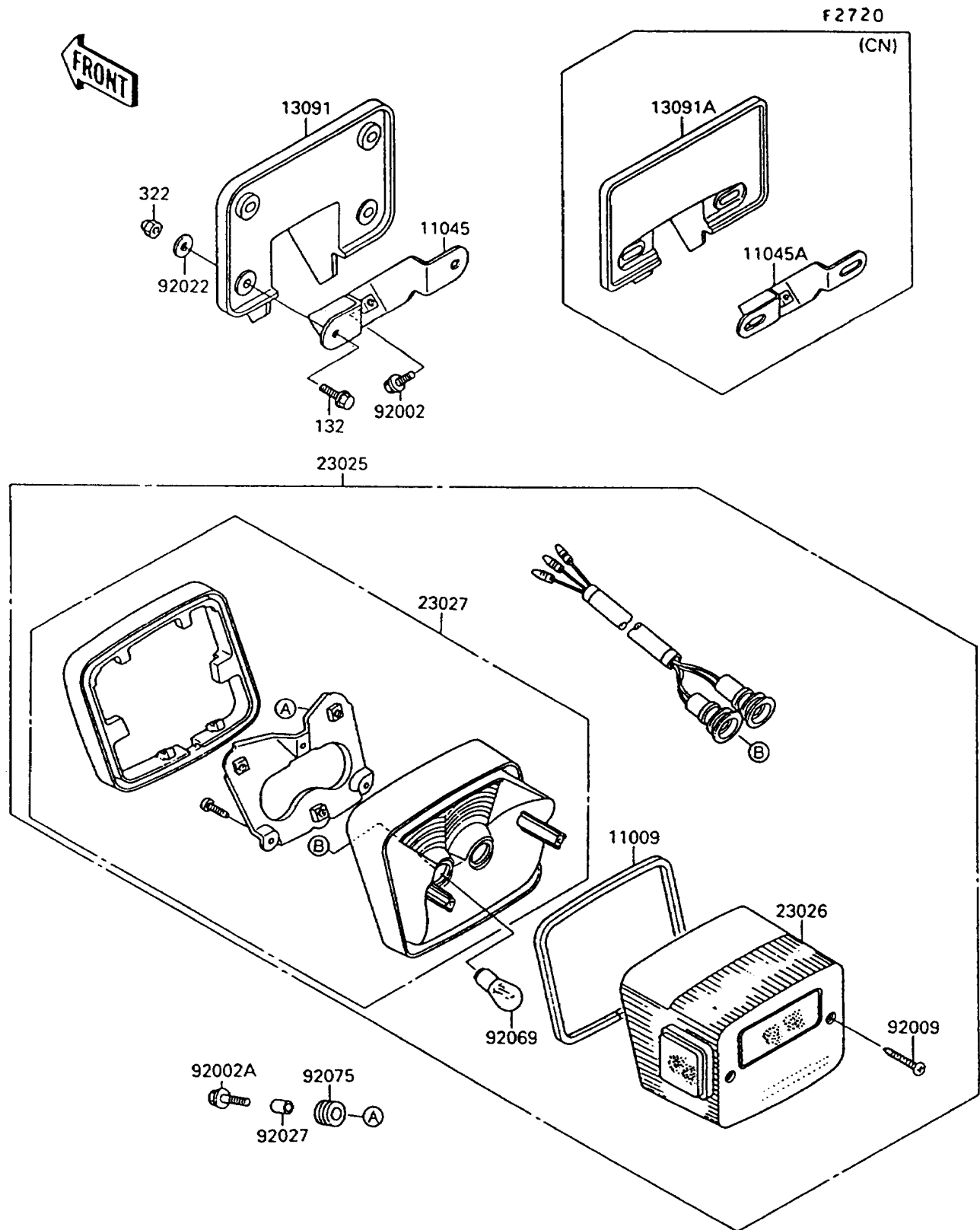


# 1992 Vulcan 88

## PARTS DIAGRAM

### Taillight(s)



# 1992 Vulcan 88

## PARTS LIST

Taillight(s)

**ITEM NAME**

**PART NUMBER**

**QUANTITY**

---