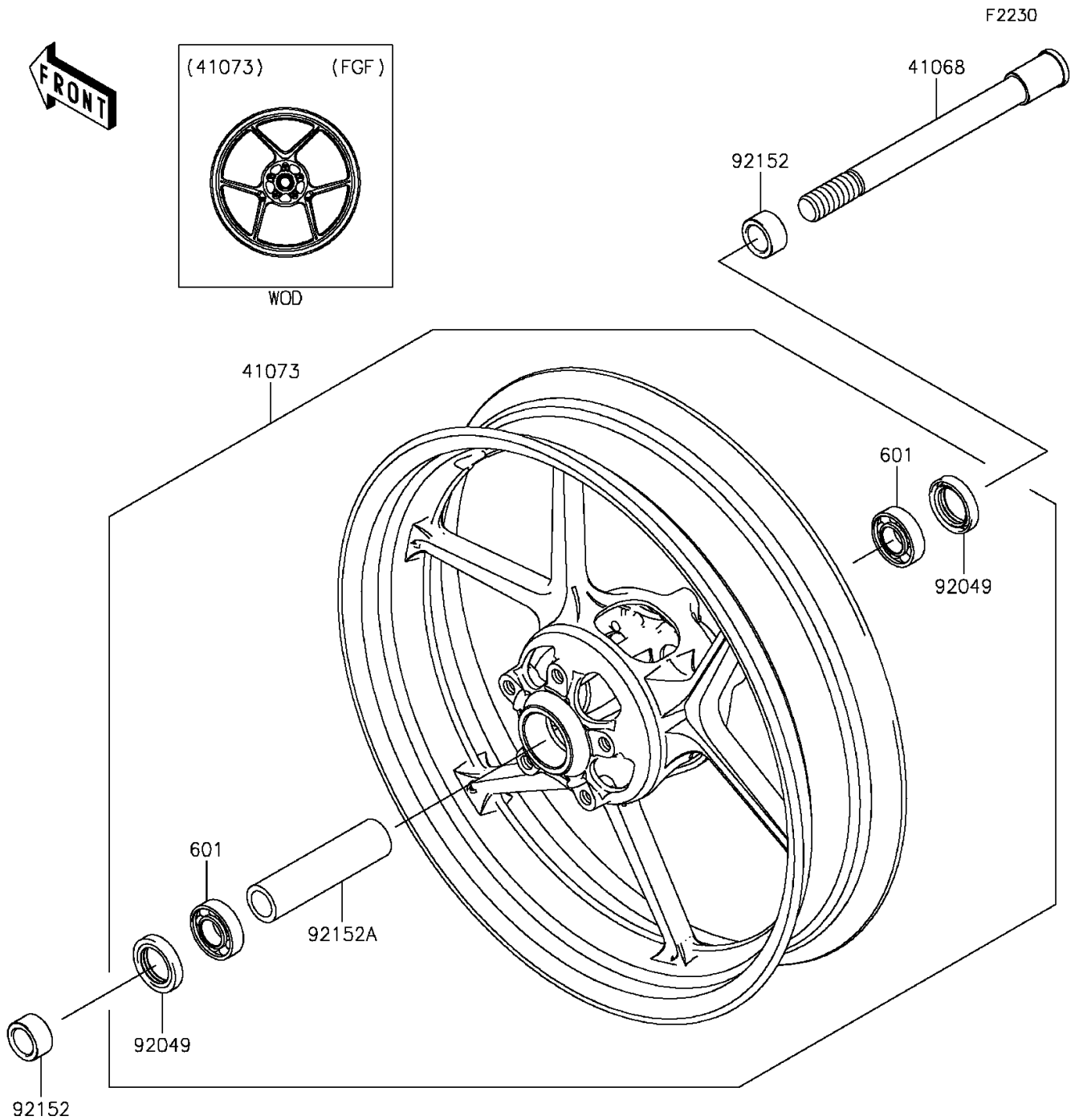


# 2016 Ninja® 650 ABS

## PARTS DIAGRAM

### Front Wheel



# 2016 Ninja® 650 ABS

## PARTS LIST

### Front Wheel

**ITEM NAME**

**PART NUMBER**

**QUANTITY**

---