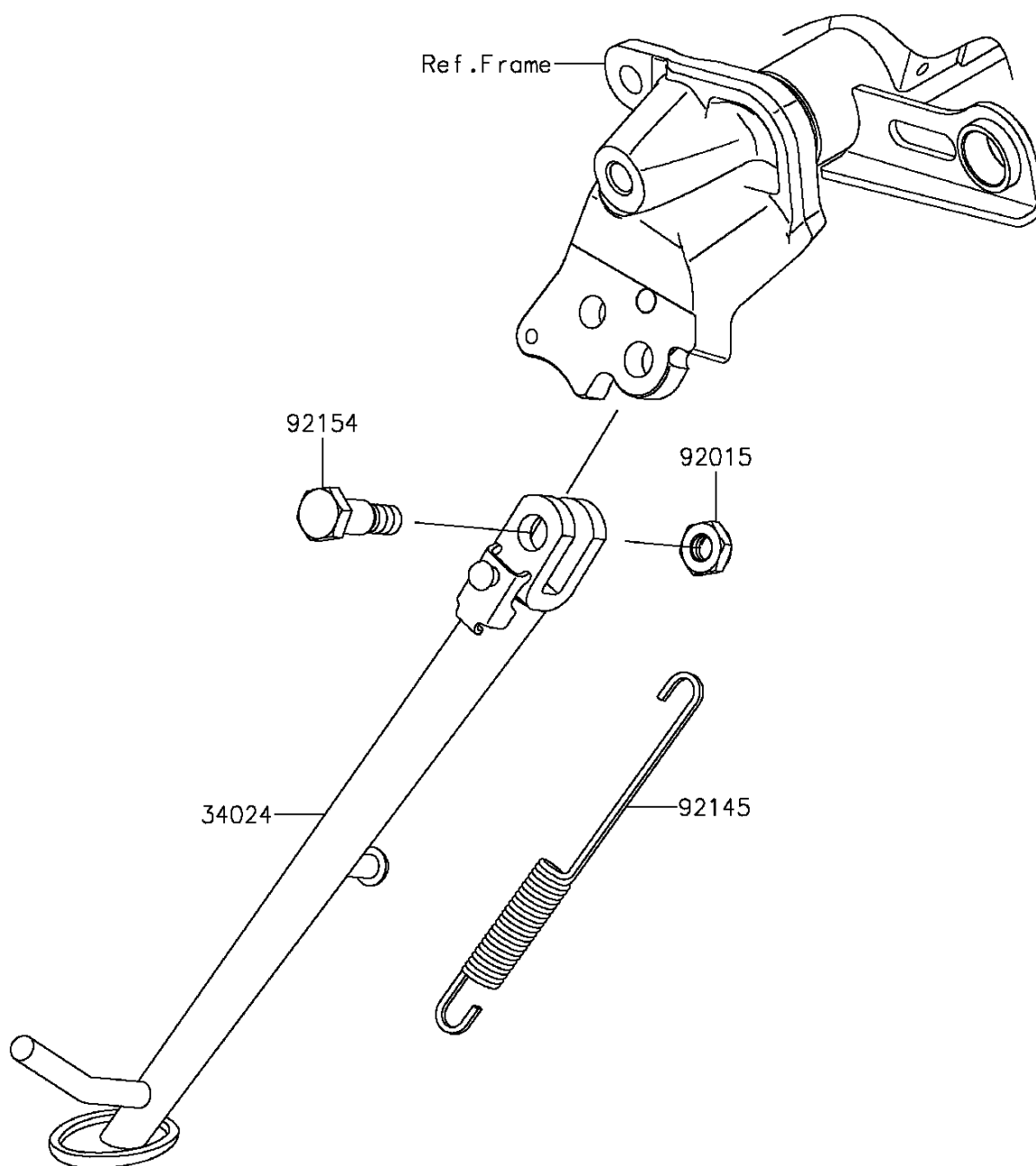


# 2013 NINJA® 650 ABS

## PARTS DIAGRAM

Stand(s)

F2190



# 2013 NINJA<sup>®</sup> 650 ABS

## PARTS LIST

Stand(s)

**ITEM NAME**

**PART NUMBER**

**QUANTITY**

---