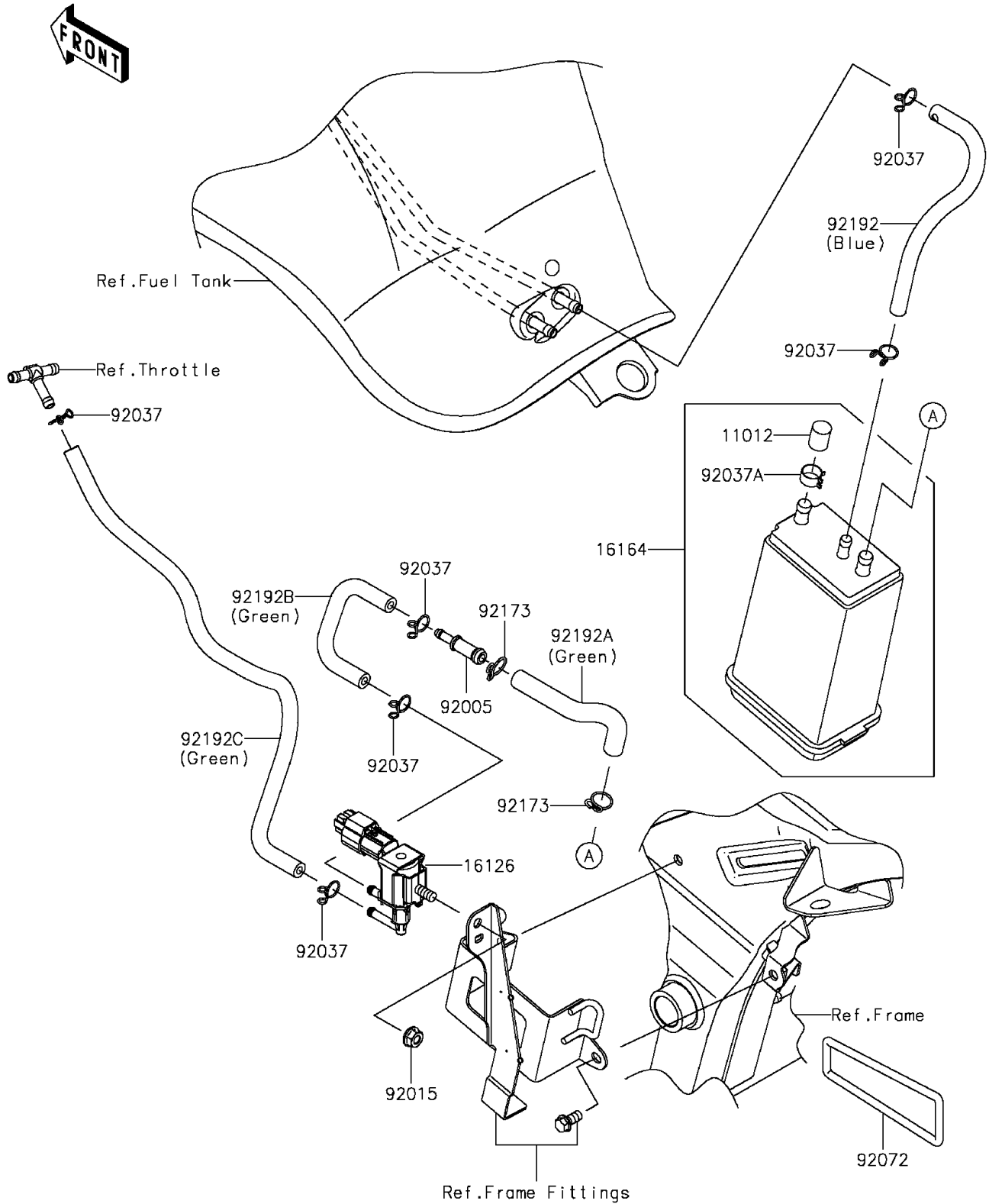


# 2016 Ninja® 650 ABS

## PARTS DIAGRAM

### Fuel Evaporative System(CA)

E1650



# 2016 Ninja<sup>®</sup> 650 ABS

## PARTS LIST

### Fuel Evaporative System(CA)

**ITEM NAME**

**PART NUMBER**

**QUANTITY**

---