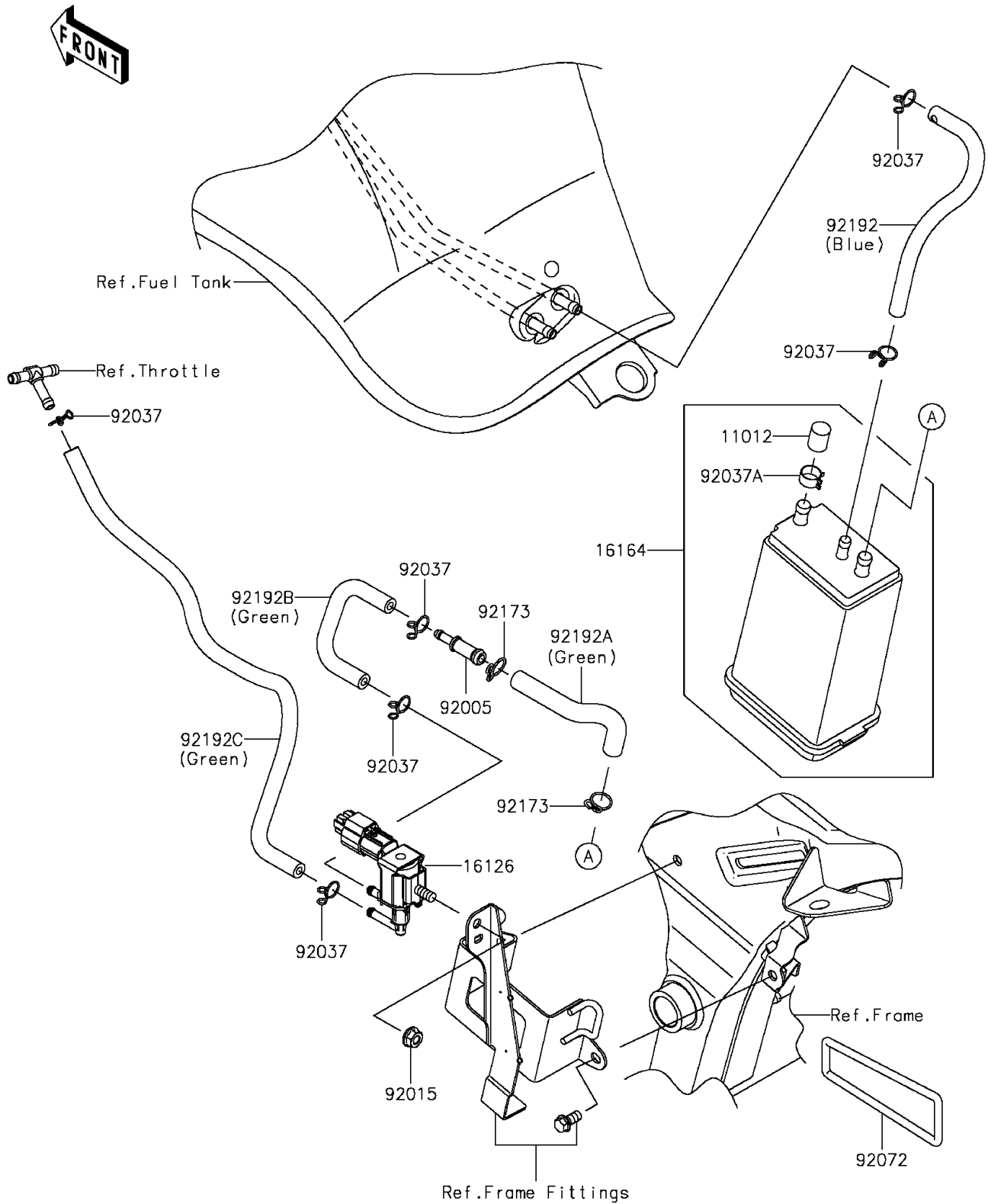


# 2013 NINJA® 650 ABS

## PARTS DIAGRAM

### Fuel Evaporative System(CA)

E1650



# 2013 NINJA<sup>®</sup> 650 ABS

## PARTS LIST

### Fuel Evaporative System(CA)

ITEM NAME	PART NUMBER	QUANTITY
-----------	-------------	----------

---