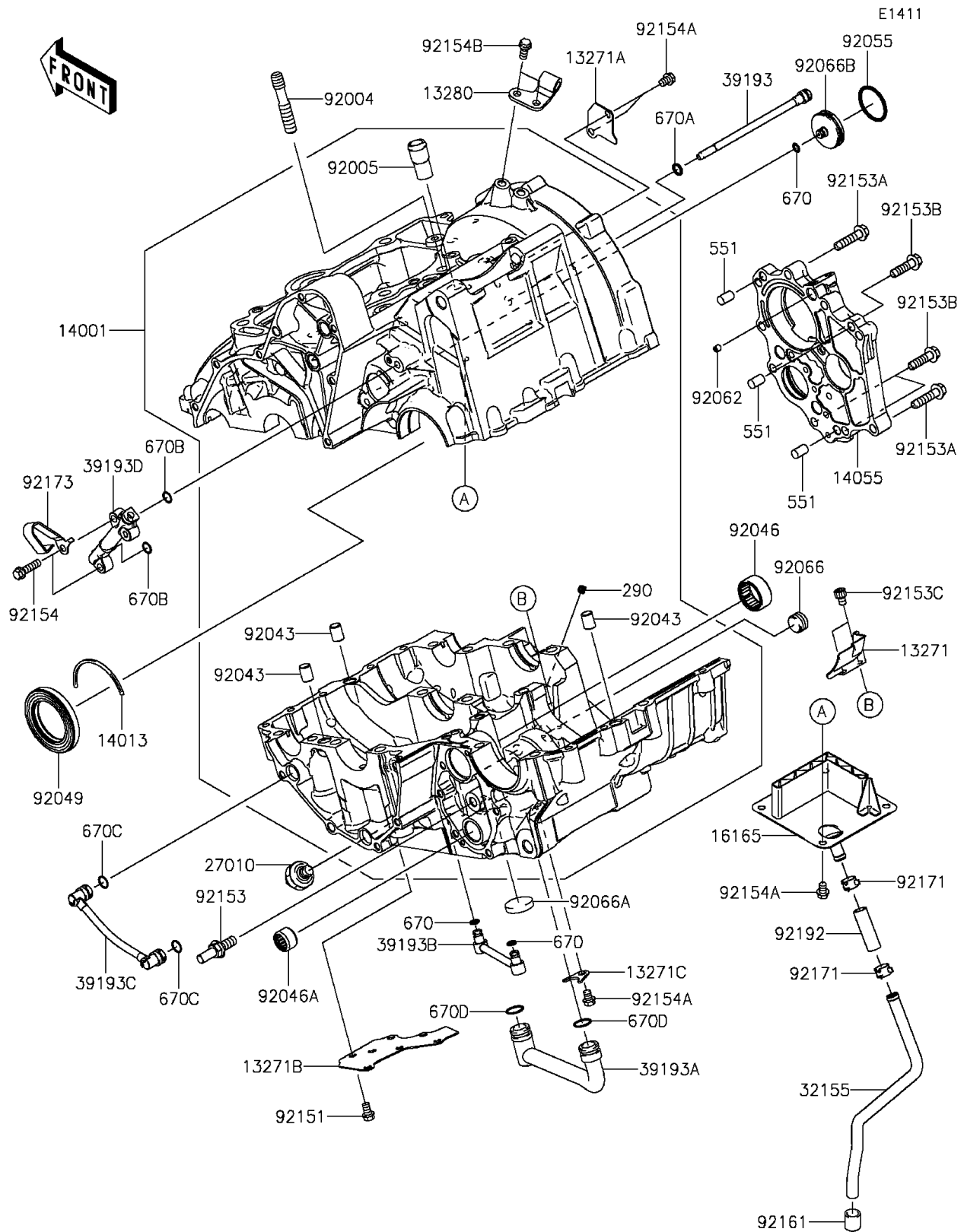


2016 Ninja® 650 ABS

PARTS DIAGRAM

Crankcase



2016 Ninja[®] 650 ABS

PARTS LIST

Crankcase

ITEM NAME

PART NUMBER

QUANTITY
