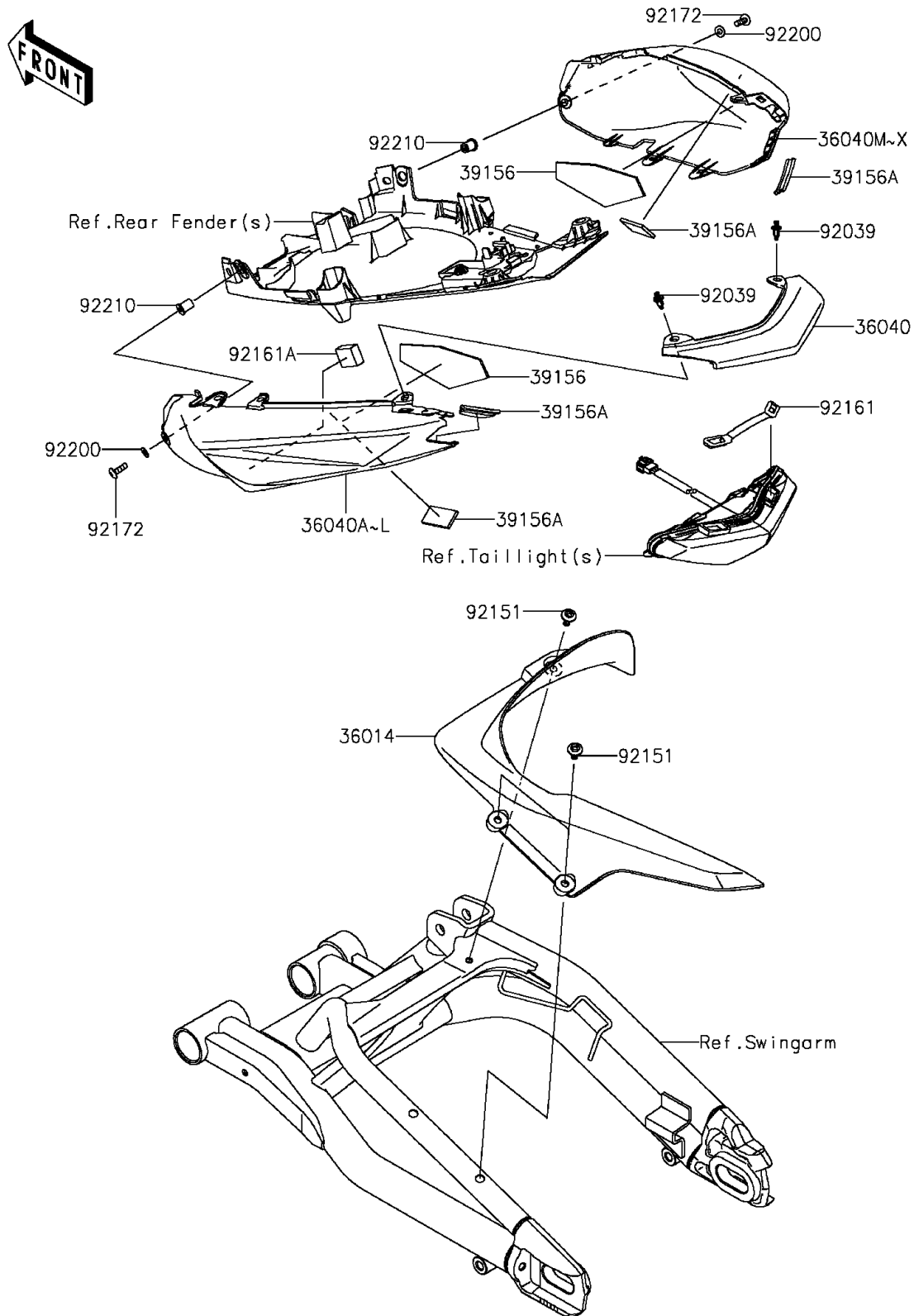


# 2015 Ninja® 650

## PARTS DIAGRAM

### Side Covers/Chain Cover(ECF-EFF)

F2610



# 2015 Ninja® 650

## PARTS LIST

Side Covers/Chain Cover(ECF-EFF)

**ITEM NAME**

**PART NUMBER**

**QUANTITY**

---