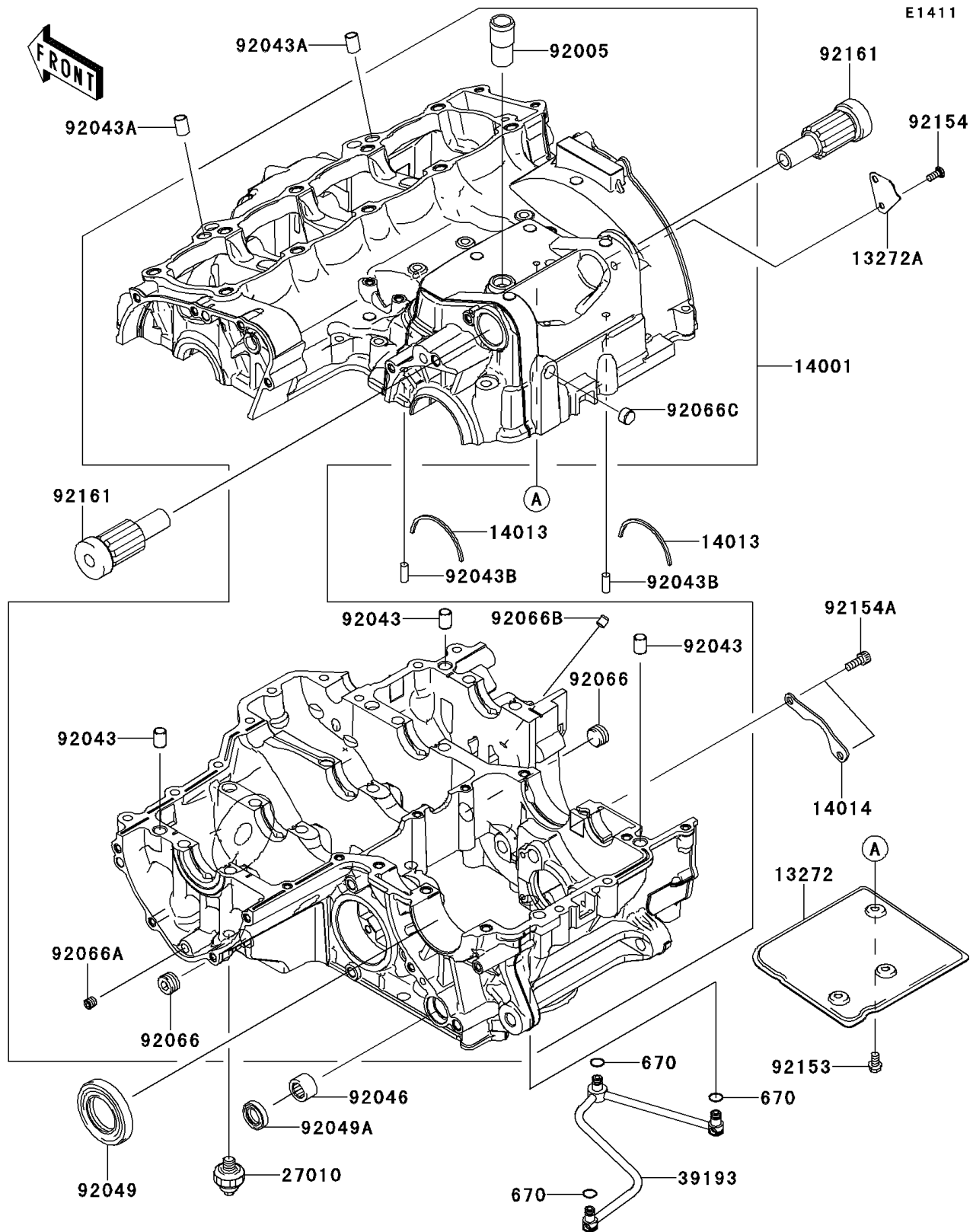


# 2013 NINJA<sup>®</sup> 1000

## PARTS DIAGRAM

### Crankcase



# 2013 NINJA® 1000

## PARTS LIST

### Crankcase

**ITEM NAME**

**PART NUMBER**

**QUANTITY**

---