

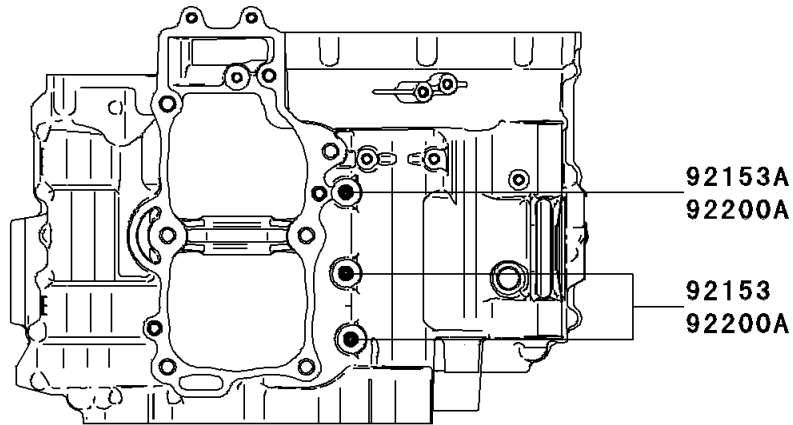
2011 VERSYS®

PARTS DIAGRAM

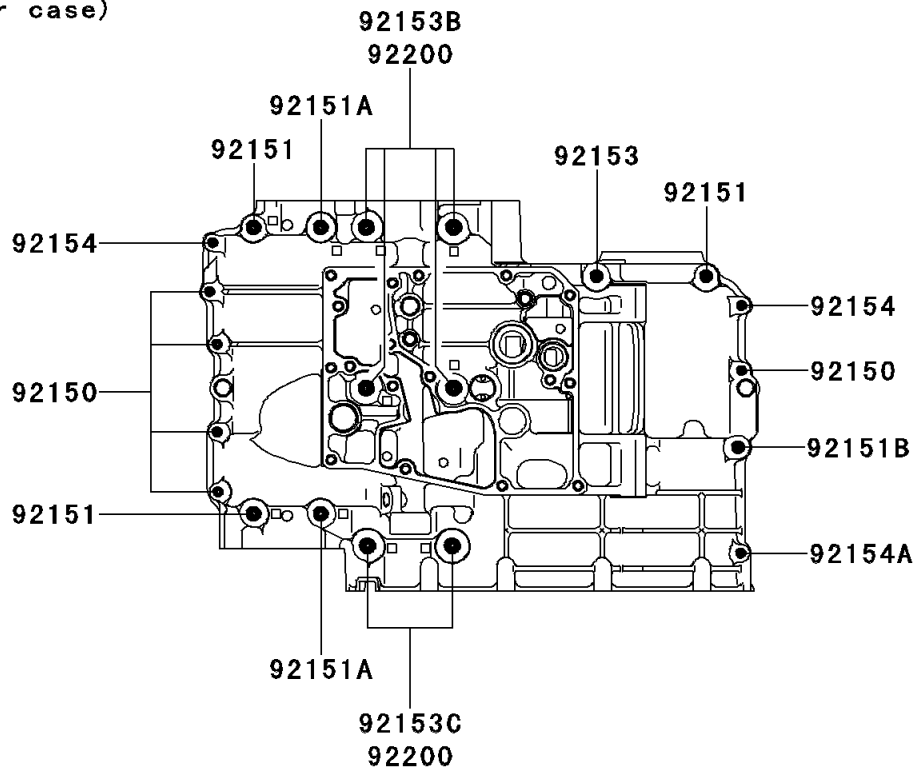
Crankcase Bolt Pattern

E1412

(Upper case)



(Lower case)



2011 VERSYS®

PARTS LIST

Crankcase Bolt Pattern

ITEM NAME

PART NUMBER

QUANTITY
