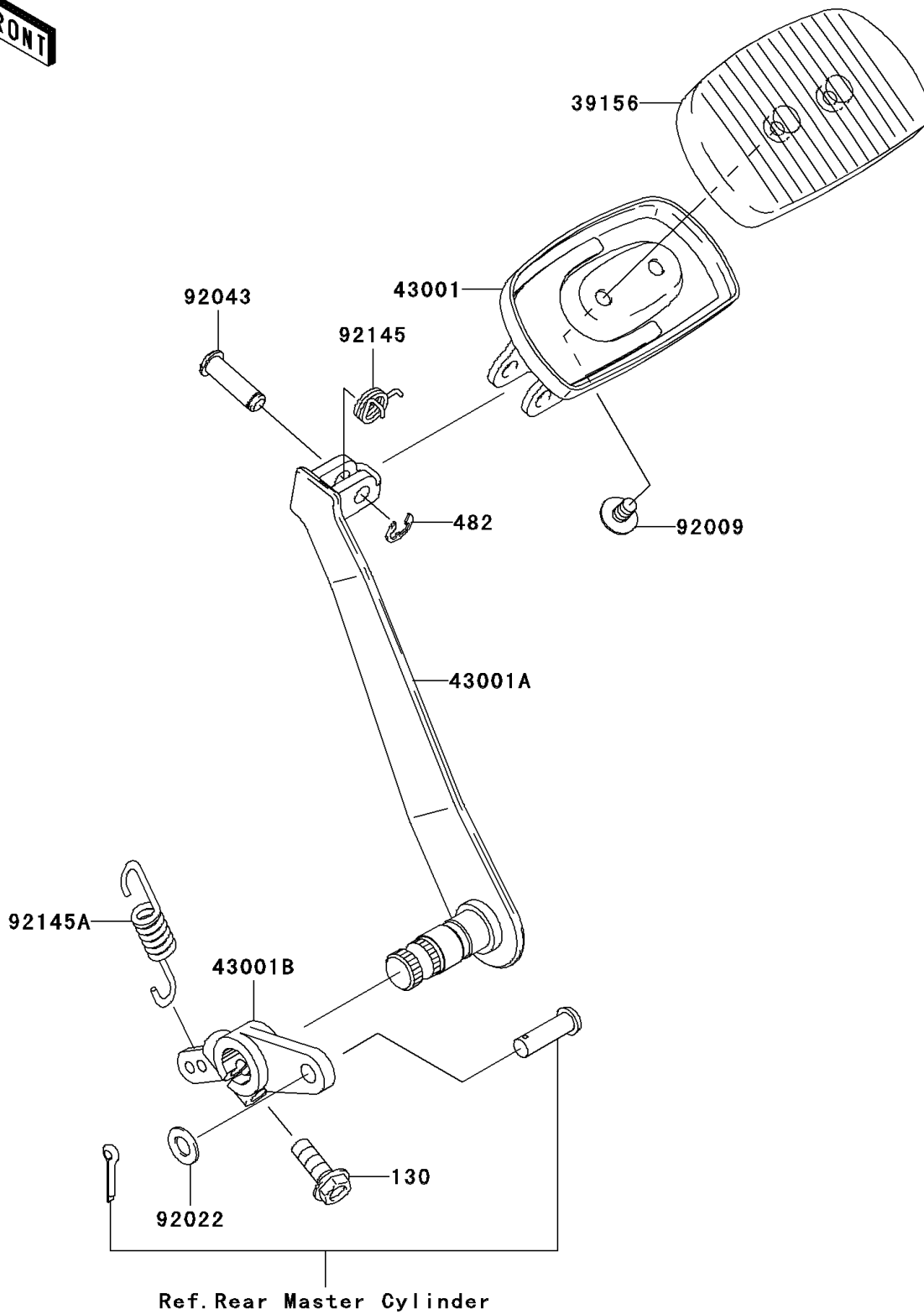


2008 Vulcan[®] 1600 Classic

PARTS DIAGRAM

Brake Pedal/Torque Link

F2260



2008 Vulcan® 1600 Classic

PARTS LIST

Brake Pedal/Torque Link

| ITEM NAME | PART NUMBER | QUANTITY |
|-----------|-------------|----------|
|-----------|-------------|----------|
