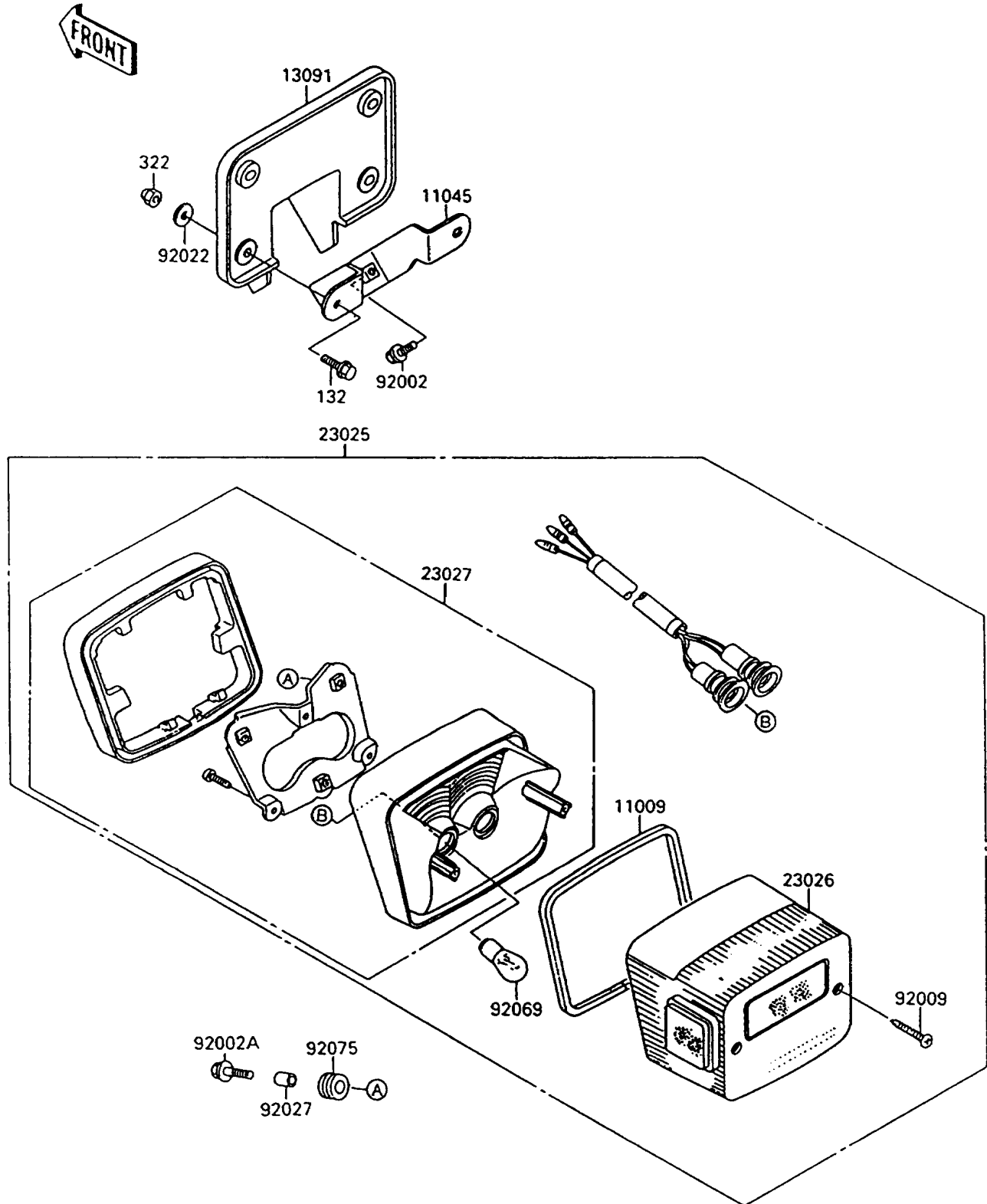


1997 Vulcan 1500

PARTS DIAGRAM

Taillight(s)

F2720



1997 Vulcan 1500

PARTS LIST

Taillight(s)

ITEM NAME

PART NUMBER

QUANTITY
