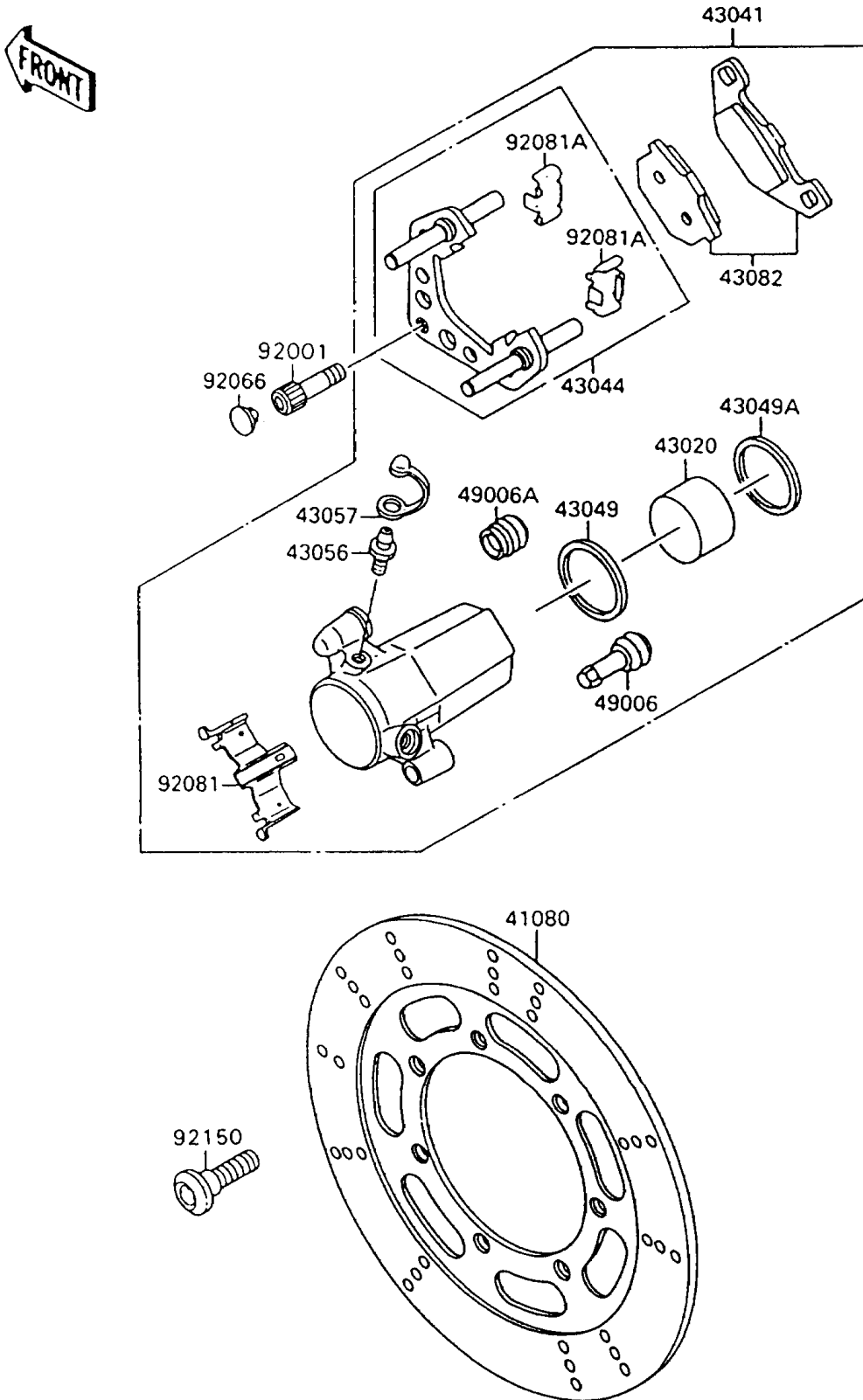


# 1997 Vulcan 1500

## PARTS DIAGRAM

### Front Brake

F 2292



# 1997 Vulcan 1500

## PARTS LIST

### Front Brake

**ITEM NAME**

**PART NUMBER**

**QUANTITY**

---