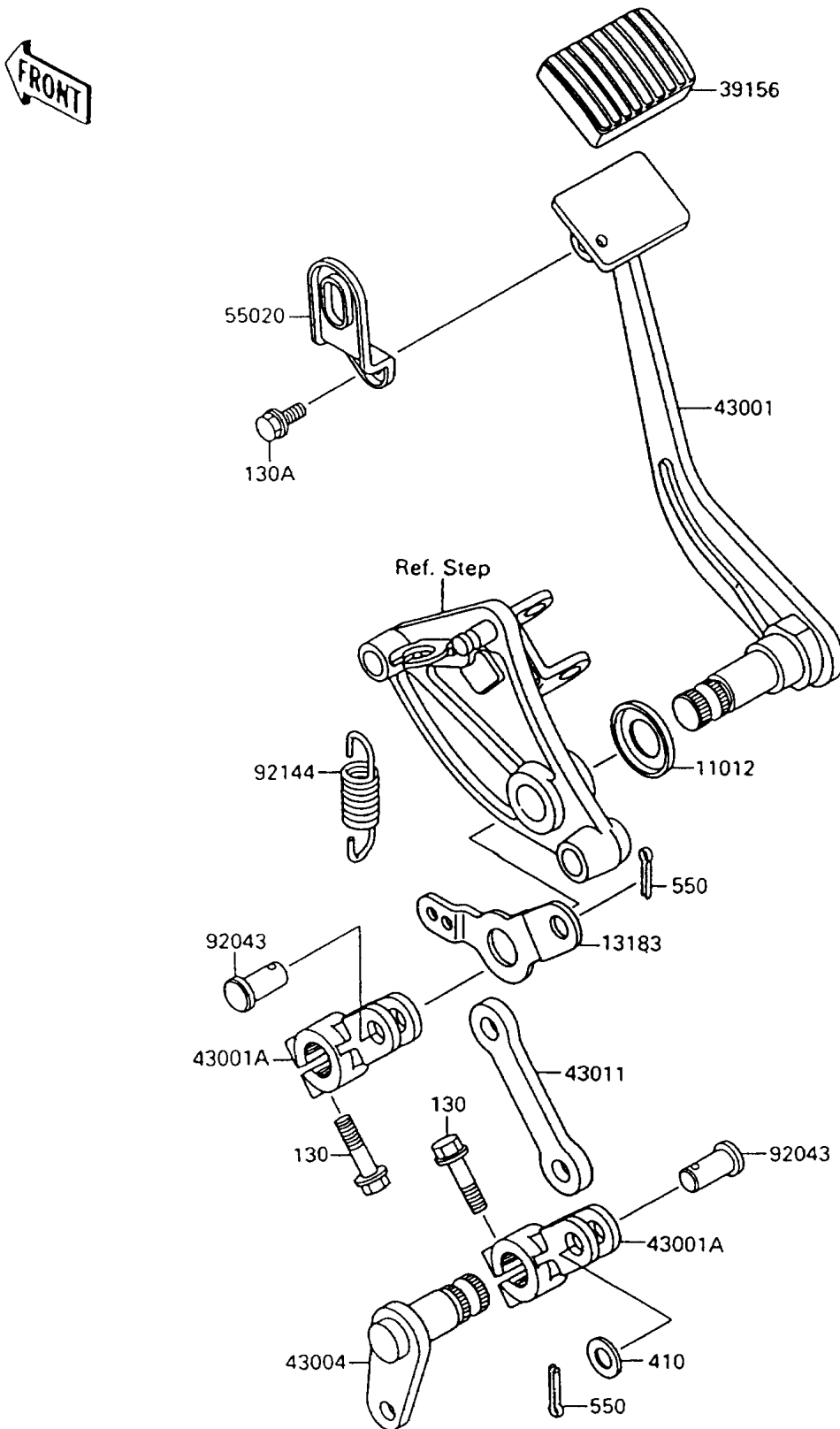


1997 Vulcan 1500

PARTS DIAGRAM

Brake Pedal/Torque Link

F 2260



1997 Vulcan 1500

PARTS LIST

Brake Pedal/Torque Link

ITEM NAME

PART NUMBER

QUANTITY
