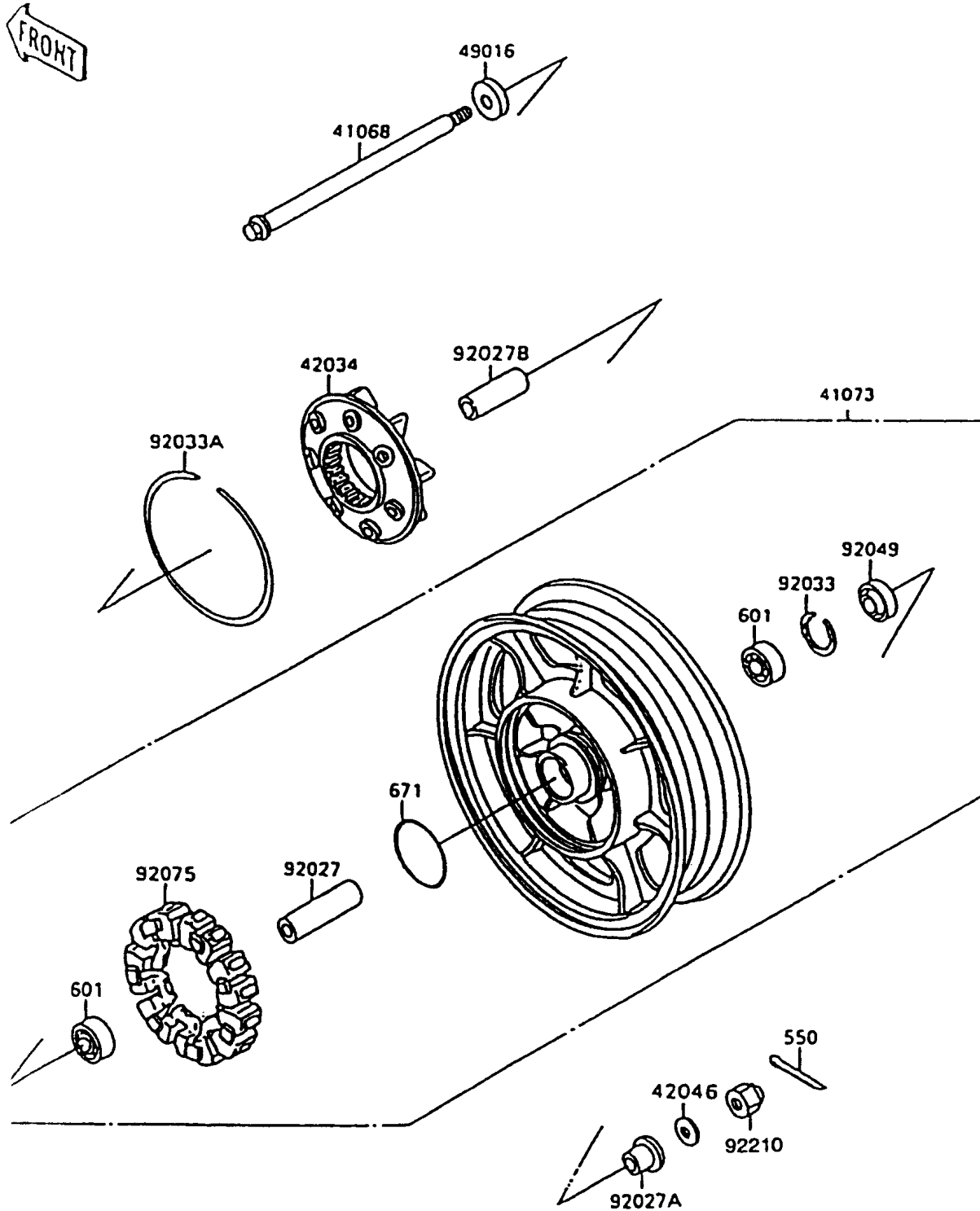


1997 Vulcan 1500

PARTS DIAGRAM

Rear Wheel/Chain

F2240



1997 Vulcan 1500

PARTS LIST

Rear Wheel/Chain

ITEM NAME

PART NUMBER

QUANTITY
