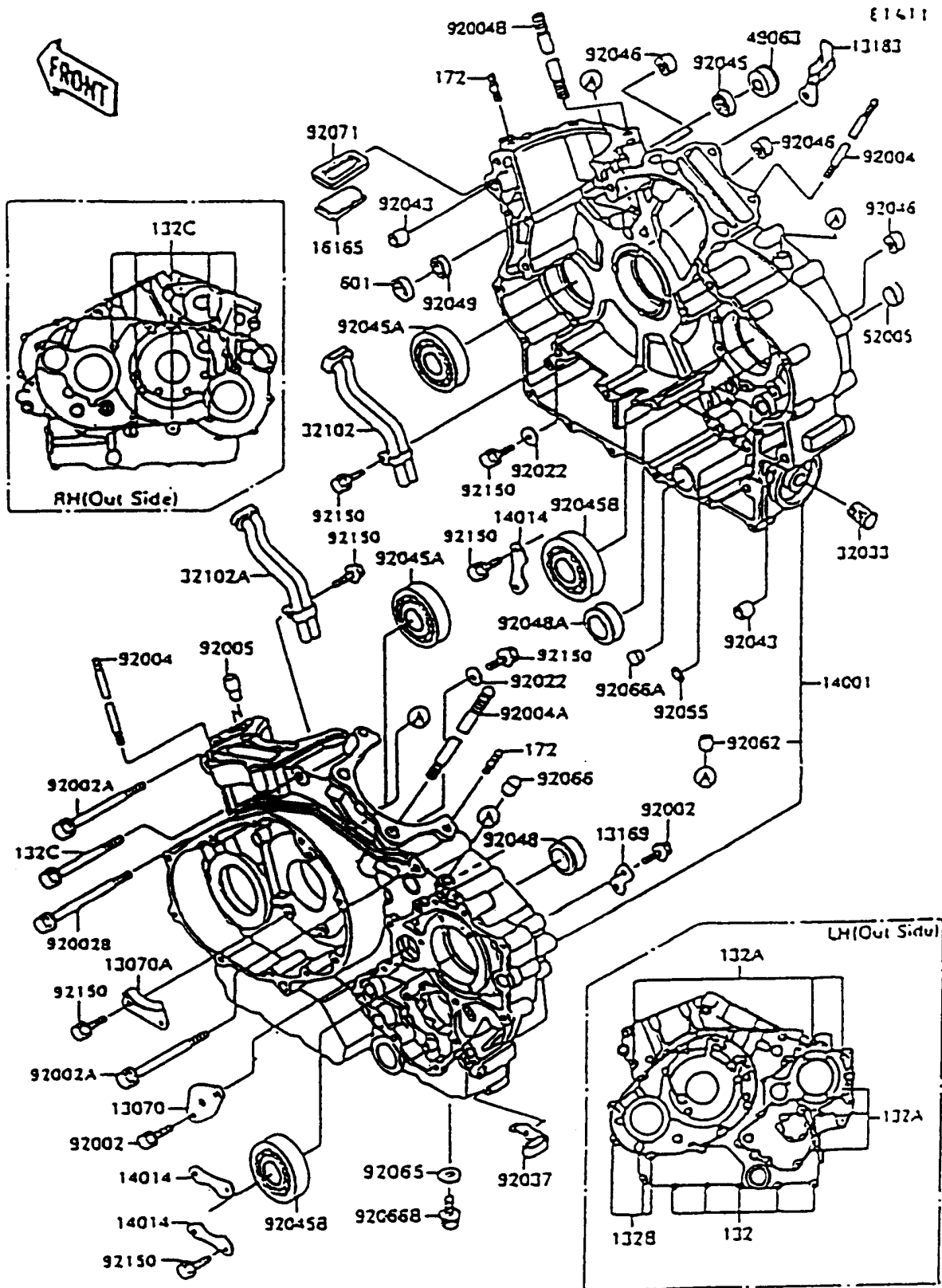


# 1996 Vulcan 1500

## PARTS DIAGRAM

### Crankcase



# 1996 Vulcan 1500

## PARTS LIST

### Crankcase

**ITEM NAME**

**PART NUMBER**

**QUANTITY**

---