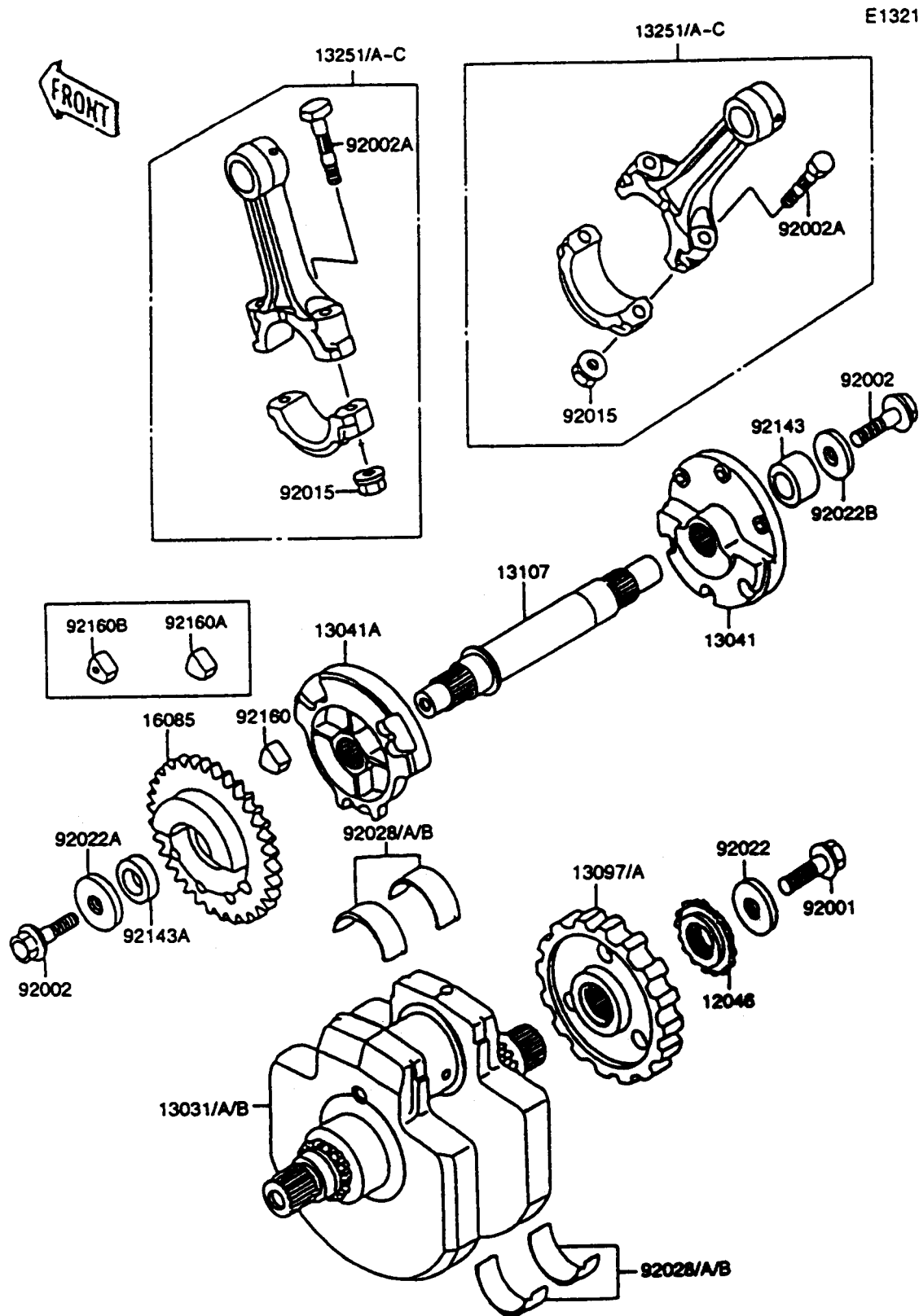


1997 Vulcan 1500

PARTS DIAGRAM

Crankshaft



1997 Vulcan 1500

PARTS LIST

Crankshaft

ITEM NAME

PART NUMBER

QUANTITY
