

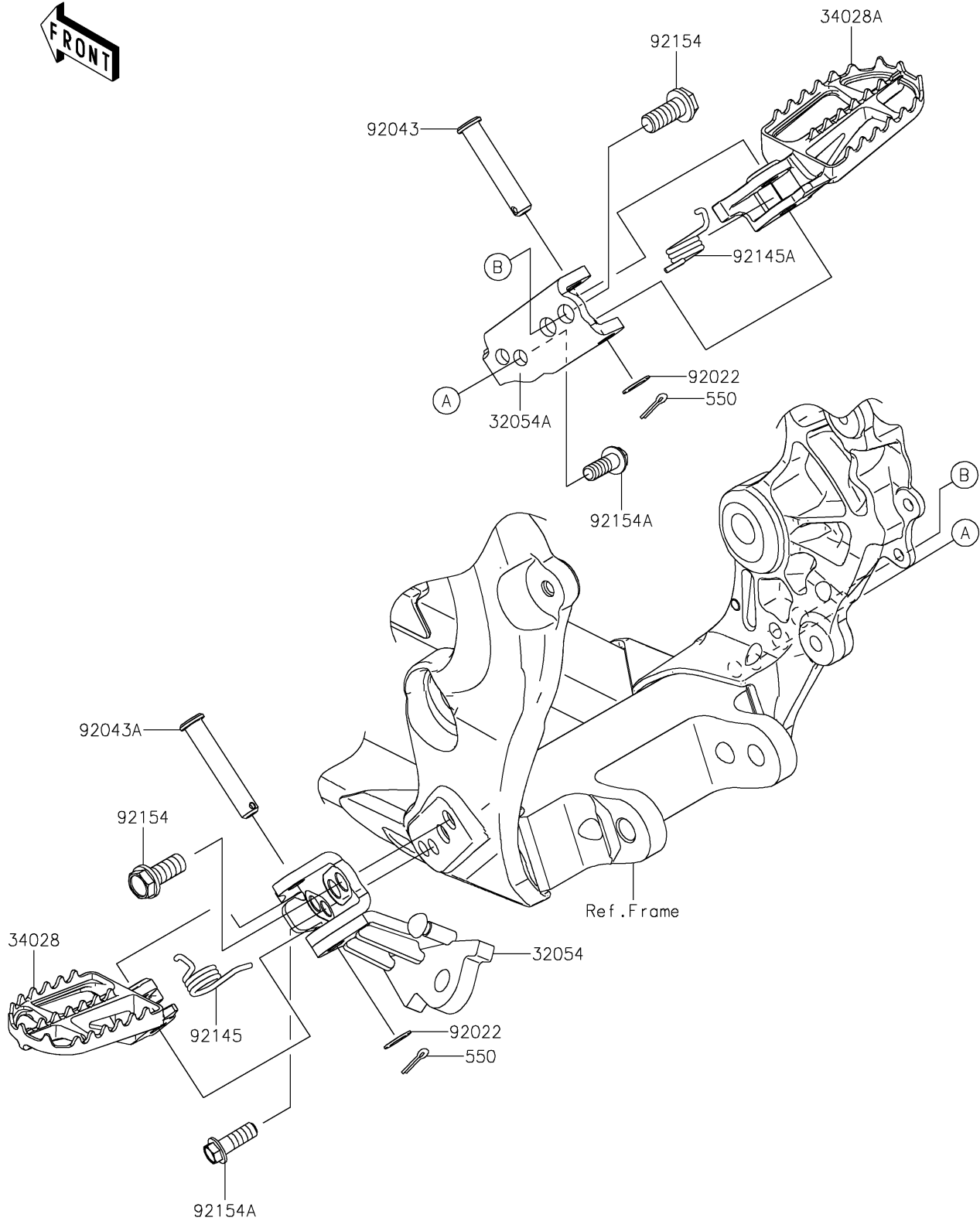
# 2023 KX™ 450X

## PARTS DIAGRAM

### Footrests



F2160



# 2023 KX™ 450X

## PARTS LIST

### Footrests

**ITEM NAME**

**PART NUMBER**

**QUANTITY**

---