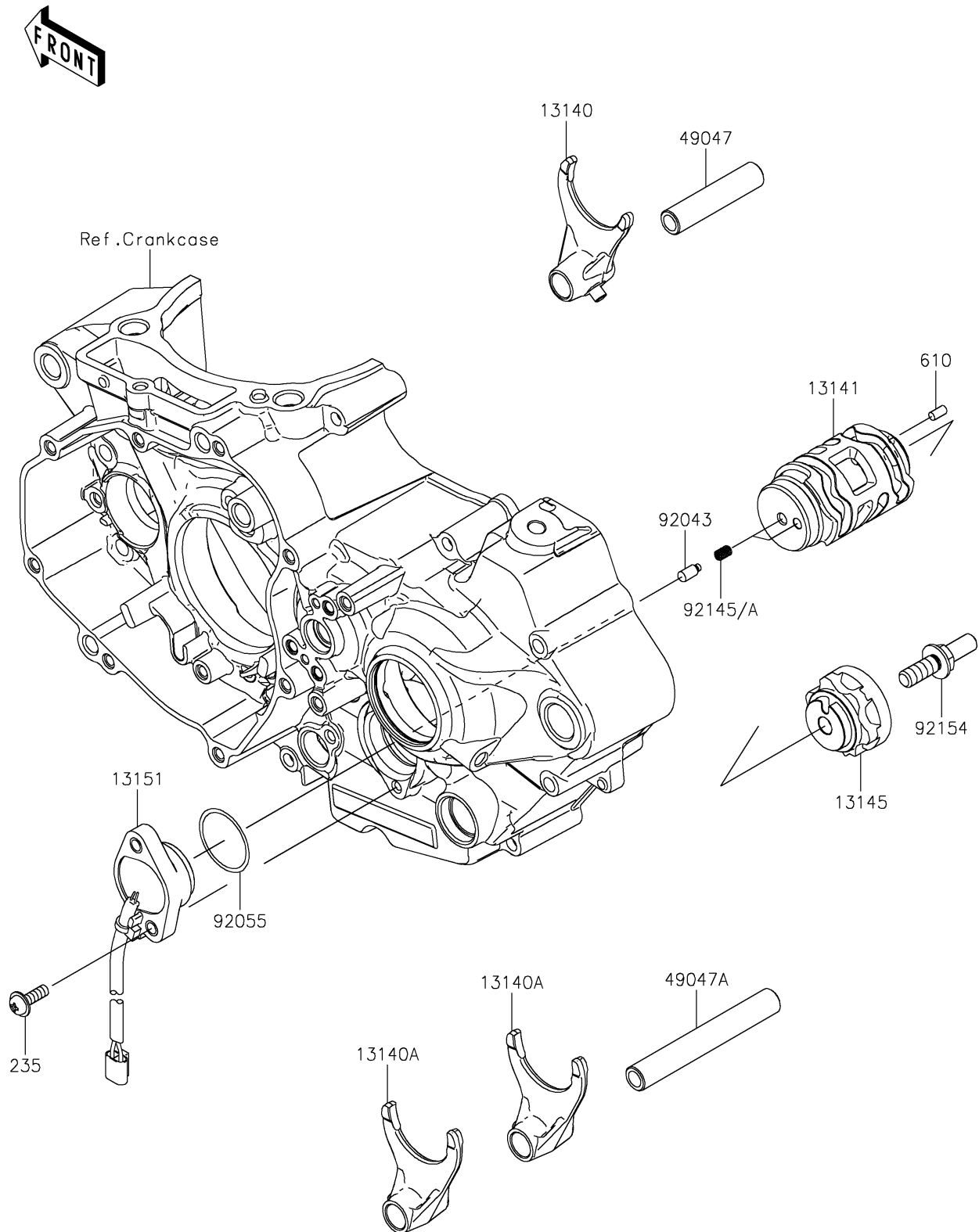


# 2023 KX™ 450X

## PARTS DIAGRAM

### Gear Change Drum/Shift Fork(s)

E1362



# 2023 KX™ 450X

## PARTS LIST

### Gear Change Drum/Shift Fork(s)

| ITEM NAME                               | PART NUMBER | QUANTITY |
|---|-------------|----------|
| FORK-SHIFT,INPUT (Ref # 13140)          | 13140-0647  | 1        |
| FORK-SHIFT,OUTPUT (Ref # 13140A)        | 13140-0672  | 2        |
| DRUM-CHANGE (Ref # 13141)               | 13141-0600  | 1        |
| CAM-CHANGE DRUM (Ref # 13145)           | 13145-0563  | 1        |
| SWITCH-COMP,GEAR POSITION (Ref # 13151) | 13151-0581  | 1        |
| ROD-SHIFT,INPUT (Ref # 49047)           | 49047-0628  | 1        |
| ROD-SHIFT,OUTPUT (Ref # 49047A)         | 49047-0629  | 1        |
| PIN (Ref # 92043)                       | 92043-1654  | 2        |
| RING-O,27.7X2.4 (Ref # 92055)           | 92055-091   | 1        |
| SPRING (Ref # 92145A)                   | 92145-2256  | 2        |
| BOLT,8X20 (Ref # 92154)                 | 92154-4341  | 1        |
| SCREW-PAN-WP-CROS,5X16 (Ref # 235)      | 235AB0516   | 2        |
| ROLLER,4X8 (Ref # 610)                  | 610A0408    | 1        |