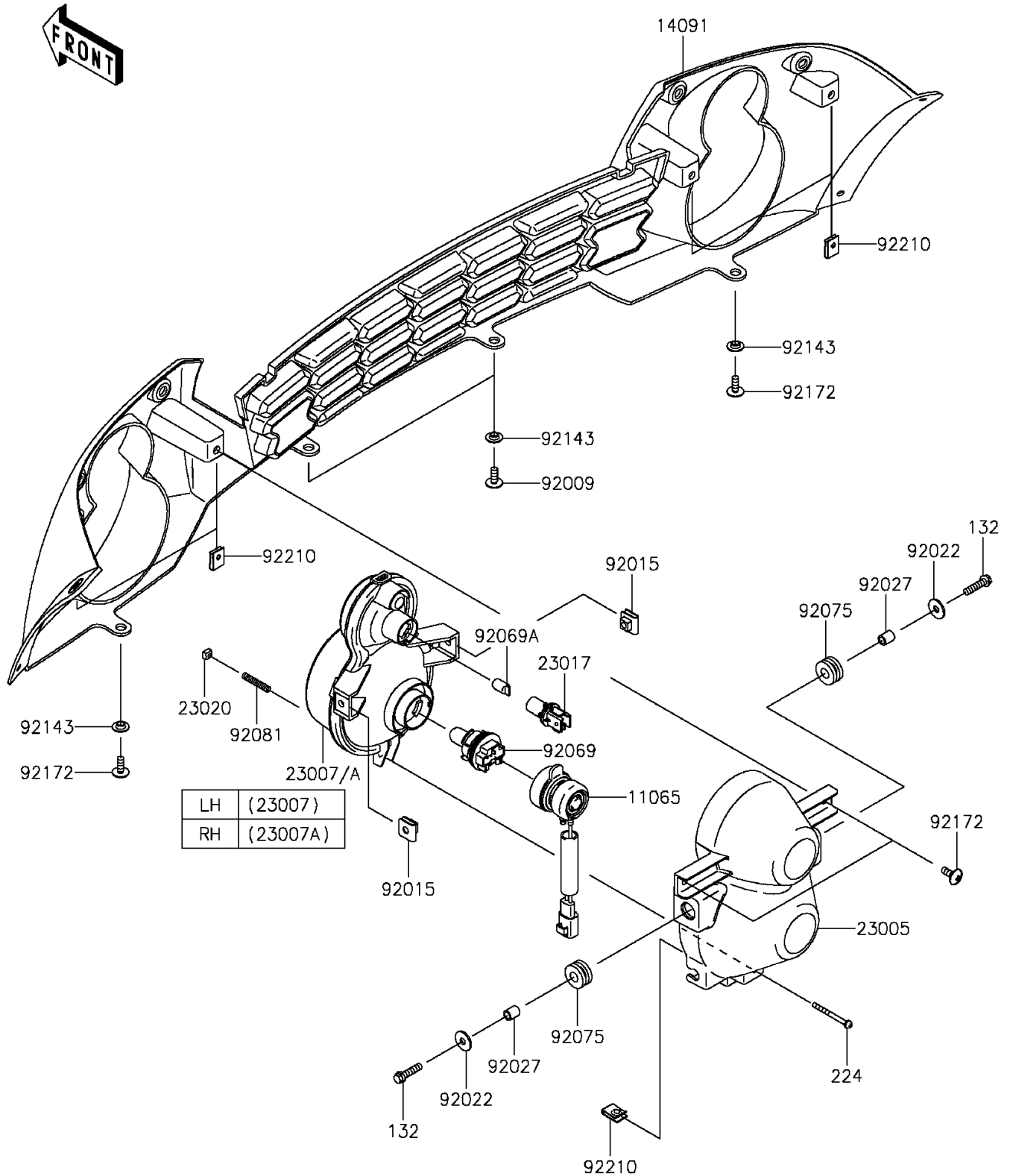


# 2016 MULE™ 610 4x4

## PARTS DIAGRAM

### Headlight(s)

F2710



# 2016 MULE™ 610 4x4

## PARTS LIST

### Headlight(s)

| ITEM NAME                                | PART NUMBER   | QUANTITY |
|--|---------------|----------|
| CAP,HEAD LAMP (Ref # 11065)              | 11065-0104    | 2        |
| COVER,FRONT GRILLE,F.BLACK (Ref # 14091) | 14091-0342-6Z | 1        |
| BODY-COMP-HEAD LAMP (Ref # 23005)        | 23005-0005    | 2        |
| LENS-COMP,HEAD LAMP,LH (Ref # 23007)     | 23007-0047    | 1        |
| LENS-COMP,HEAD LAMP,RH (Ref # 23007A)    | 23007-0048    | 1        |
| SOCKET,HEAD LAMP (Ref # 23017)           | 23017-0002    | 2        |
| NUT,4MM,FOCUS ADJUST (Ref # 23020)       | 23020-018     | 2        |
| SCREW,6X16 (Ref # 92009)                 | 92009-1621    | 2        |
| NUT,6MM (Ref # 92015)                    | 92015-1094    | 4        |
| WASHER,6.5X20X1.6 (Ref # 92022)          | 92022-125     | 4        |
| COLLAR,6.8X10X12 (Ref # 92027)           | 92027-162     | 4        |
| BULB,12V 30/30W (Ref # 92069)            | 92069-0012    | 2        |
| BULB,12V 5W (Ref # 92069A)               | 92069-1016    | 2        |
| DAMPER,10X24X12 (Ref # 92075)            | 92075-1690    | 4        |
| SPRING,FOCUS ADJUST (Ref # 92081)        | 92081-1896    | 2        |
| COLLAR (Ref # 92143)                     | 92143-1087    | 4        |
| SCREW,TAPPING,6X20 (Ref # 92172)         | 92172-0488    | 6        |
| NUT,LEAF SPRING,6MM (Ref # 92210)        | 92210-0624    | 6        |
| BOLT-FLANGED-SMALL,6X25 (Ref # 132)      | 132BA0625     | 4        |
| SCREW-PAN-WP-CROS,4X45 (Ref # 224)       | 224AA0445     | 2        |