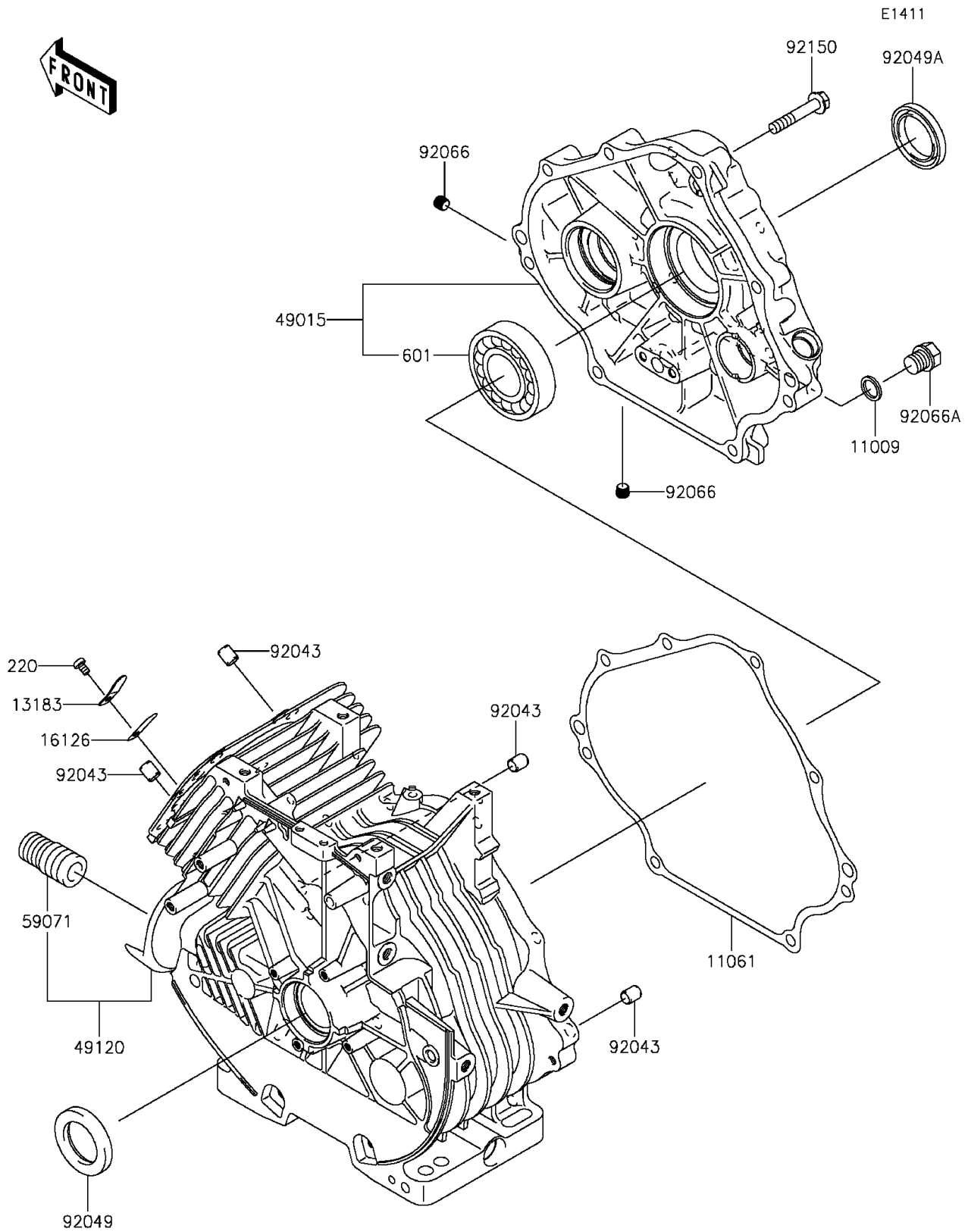


# 2016 MULE™ 610 4x4

## PARTS DIAGRAM

### Crankcase



# 2016 MULE™ 610 4x4

## PARTS LIST

### Crankcase

**ITEM NAME**

**PART NUMBER**

**QUANTITY**

---