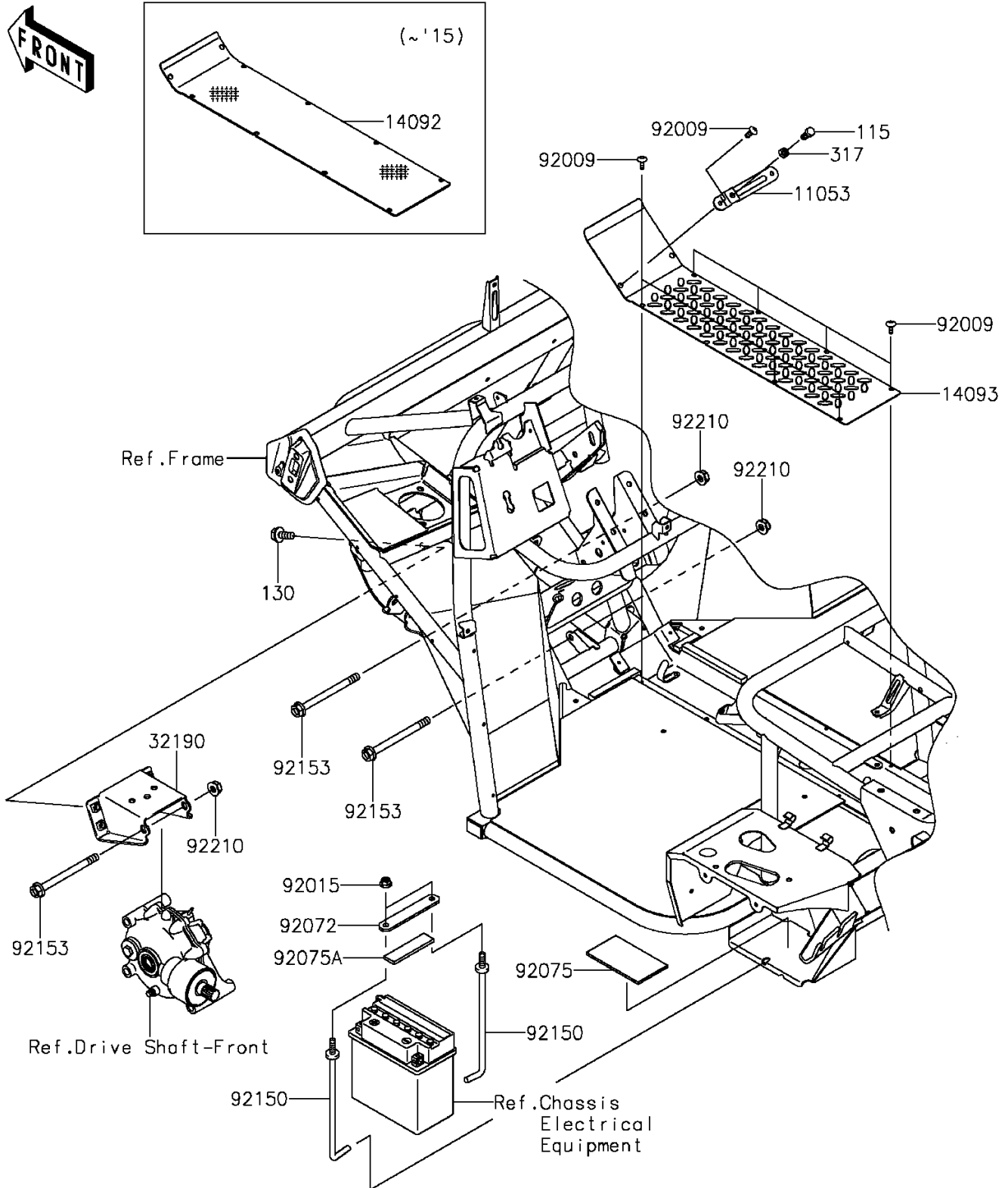


2015 Mule™ 610 4x4 XC

PARTS DIAGRAM

Engine Mount

F2122



2015 Mule™ 610 4x4 XC

PARTS LIST

Engine Mount

| ITEM NAME | PART NUMBER | QUANTITY |
|--------------------------------------|-------------|----------|
| BRACKET,THROTTLE LEVER (Ref # 11053) | 11053-1670 | 1 |
| COVER,FLOOR,CNT (Ref # 14092) | 14092-1203 | 1 |
| BRACKET-ENGINE (Ref # 32190) | 32190-0639 | 1 |
| SCREW,TAPPING,6X16 (Ref # 92009) | 92009-1166 | 9 |
| NUT,FLANGED,8MM (Ref # 92015) | 92015-1406 | 2 |
| BAND,BATTERY (Ref # 92072) | 92072-7507 | 1 |
| DAMPER (Ref # 92075) | 92075-1076 | 1 |
| DAMPER (Ref # 92075A) | 92075-1214 | 1 |
| BOLT,BATTERY (Ref # 92150) | 92150-1293 | 2 |
| BOLT,FLANGED,10X120 (Ref # 92153) | 92153-7502 | 3 |
| NUT,LOCK,FLANGED,10MM (Ref # 92210) | 92210-0276 | 3 |
| BOLT-SMALL-UPSET,8X20 (Ref # 115) | 115BA0820 | 1 |
| BOLT-FLANGED,10X20 (Ref # 130) | 130BA1020 | 4 |
| NUT-HEX-SMALL,8MM (Ref # 317) | 317BA0800 | 1 |