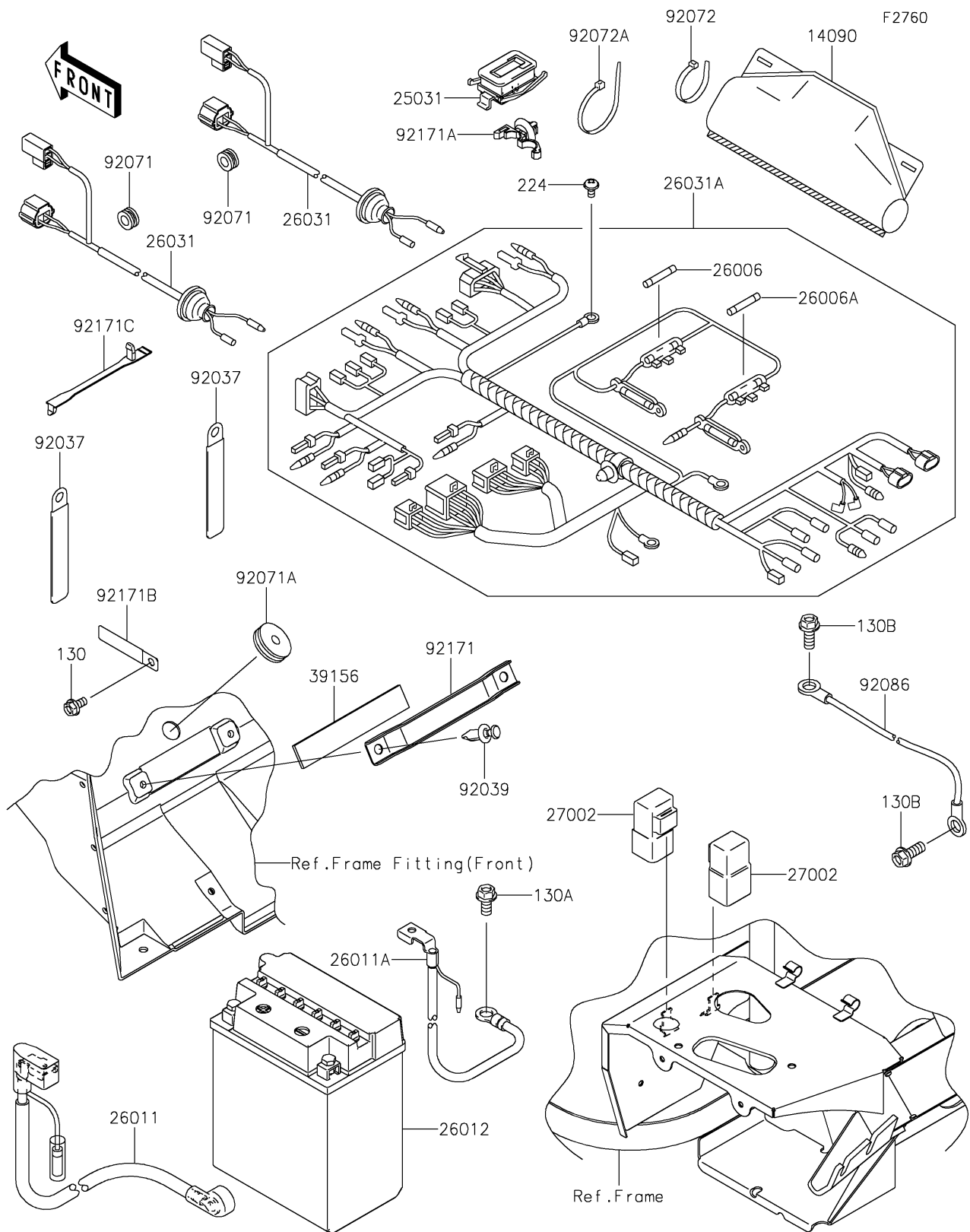


# 2016 MULE™ 610 4x4 XC SE

## PARTS DIAGRAM

### Chassis Electrical Equipment



# 2016 MULE™ 610 4x4 XC SE

## PARTS LIST

### Chassis Electrical Equipment

**ITEM NAME**

**PART NUMBER**

**QUANTITY**

---