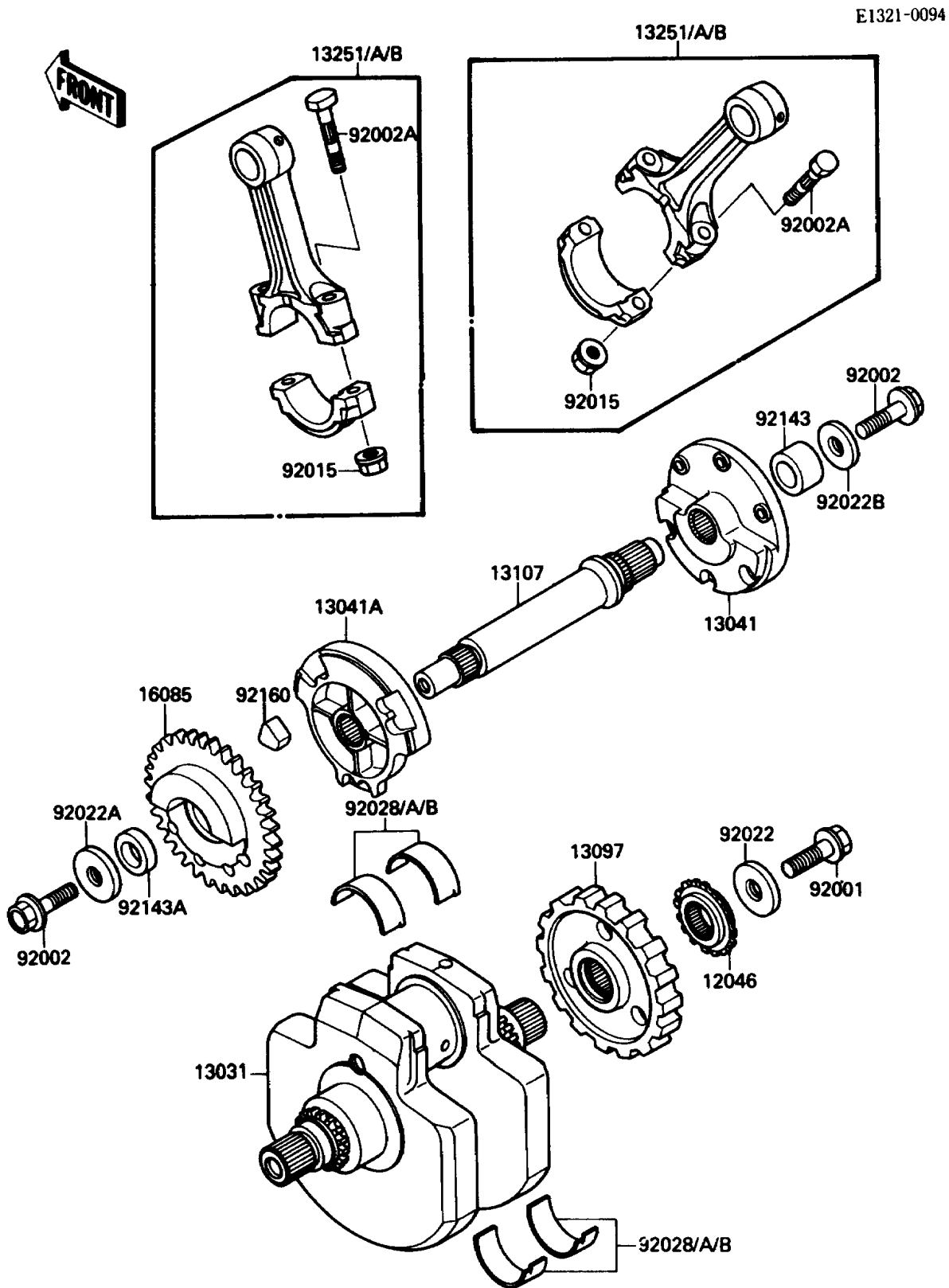


# 1988 Vulcan 88

## PARTS DIAGRAM

### Crankshaft



# 1988 Vulcan 88

## PARTS LIST

### Crankshaft

**ITEM NAME**

**PART NUMBER**

**QUANTITY**

---