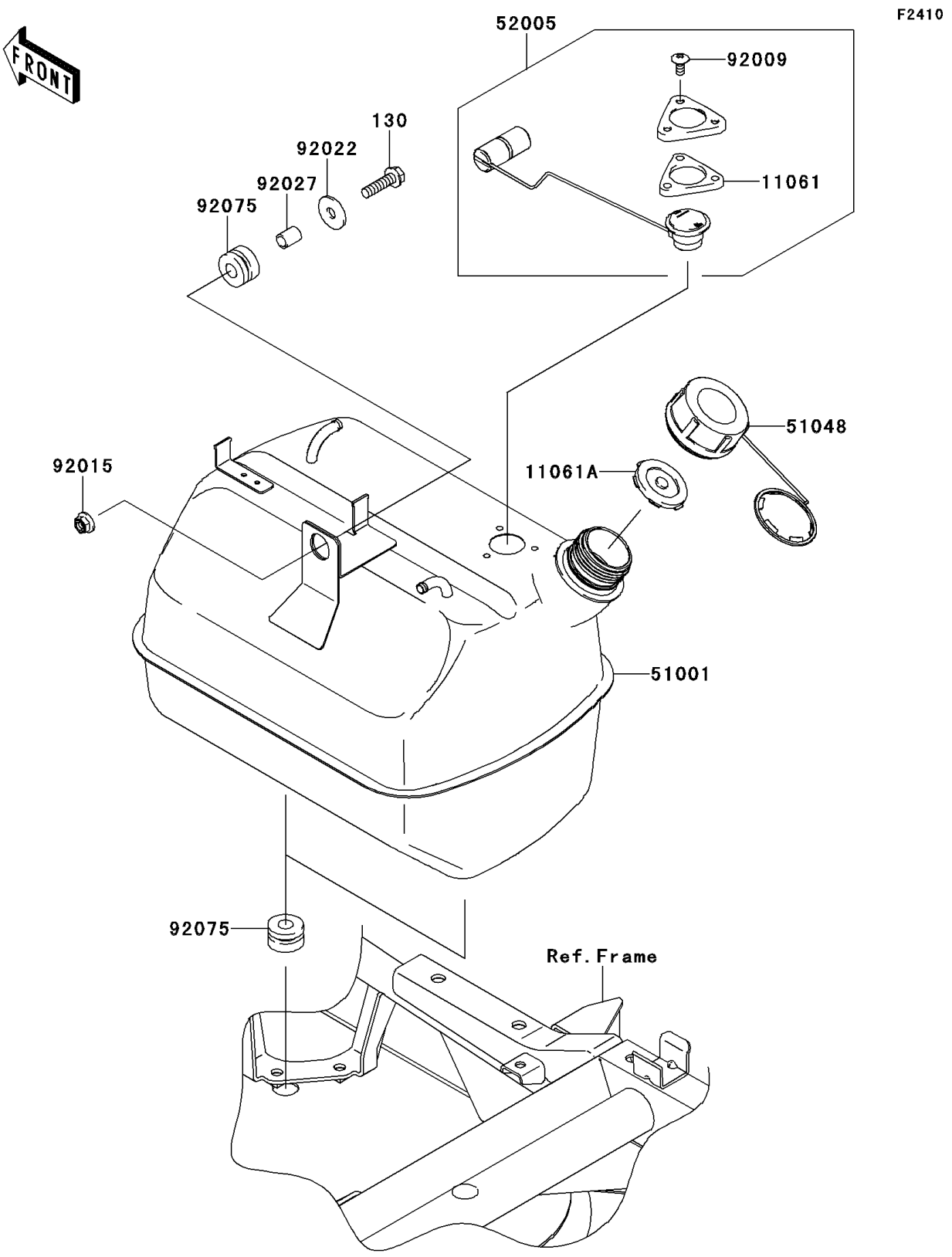


# 2014 MULE™ 600

## PARTS DIAGRAM

### Fuel Tank



# 2014 MULE™ 600

## PARTS LIST

### Fuel Tank

| ITEM NAME                           | PART NUMBER | QUANTITY |
|-------------------------------------|-------------|----------|
| GASKET,FUEL GAUGE (Ref # 11061)     | 11061-0120  | 1        |
| GASKET,FUEL TANK CAP (Ref # 11061A) | 11061-7508  | 1        |
| TANK-COMP-FUEL (Ref # 51001)        | 51001-0341  | 1        |
| CAP-ASSY-TANK,FUEL (Ref # 51048)    | 51048-0026  | 1        |
| GAUGE,FUEL (Ref # 52005)            | 52005-0080  | 1        |
| SCREW,6X14 (Ref # 92009)            | 92009-1541  | 3        |
| NUT,LOCK,FLANGED,8MM (Ref # 92015)  | 92015-1397  | 1        |
| WASHER,9X28X2.3 (Ref # 92022)       | 92022-1632  | 1        |
| COLLAR,8.8X12X15.5 (Ref # 92027)    | 92027-1081  | 1        |
| DAMPER (Ref # 92075)                | 92075-1736  | 3        |
| BOLT-FLANGED,8X30 (Ref # 130)       | 130AA0830   | 1        |