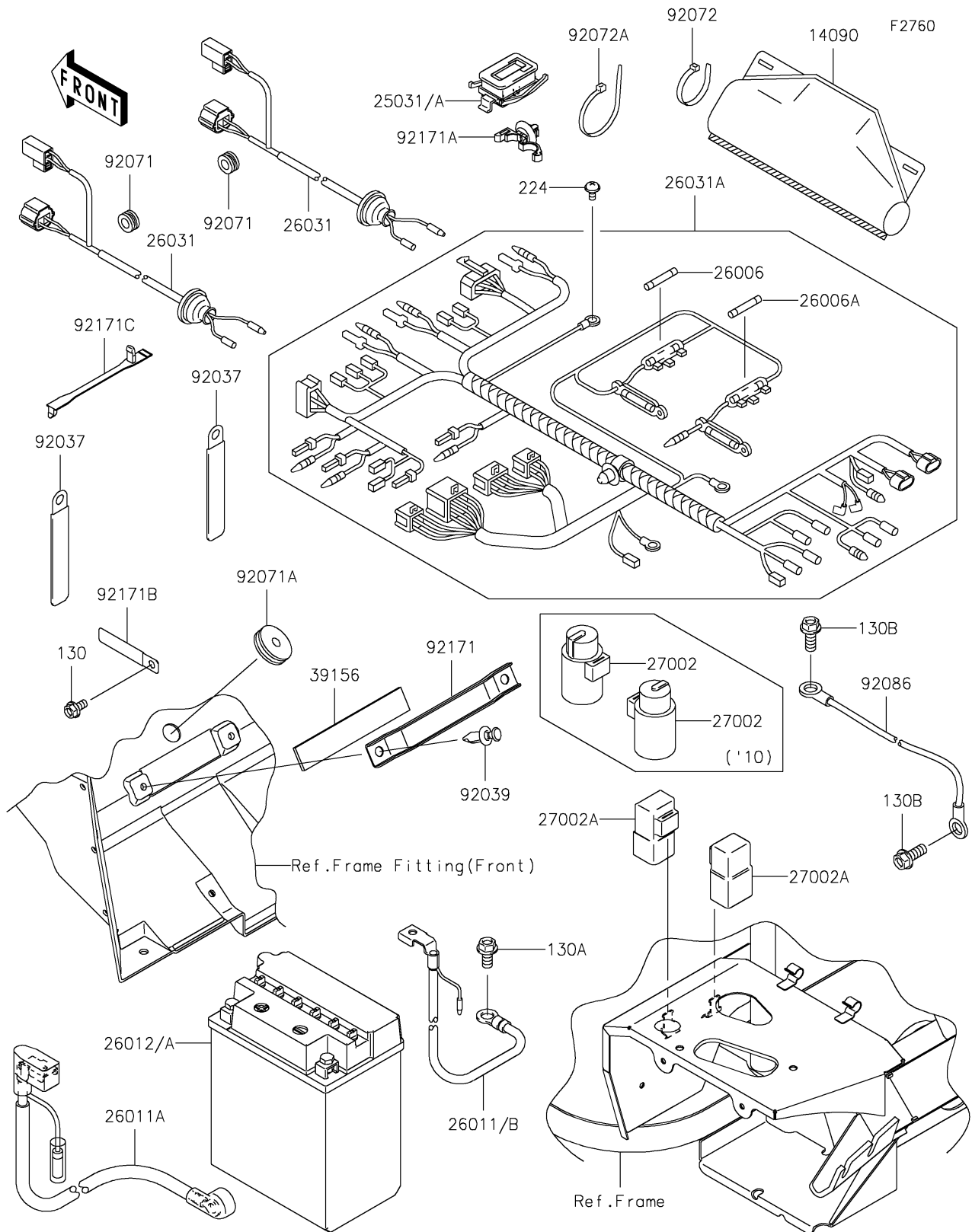


# 2013 MULE™ 610 4x4 XC

## PARTS DIAGRAM

### Chassis Electrical Equipment



# 2013 MULE™ 610 4x4 XC

## PARTS LIST

### Chassis Electrical Equipment

**ITEM NAME**

**PART NUMBER**

**QUANTITY**

---