

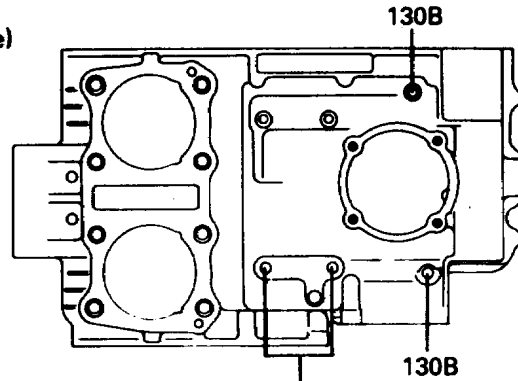
1988 LTD

PARTS DIAGRAM

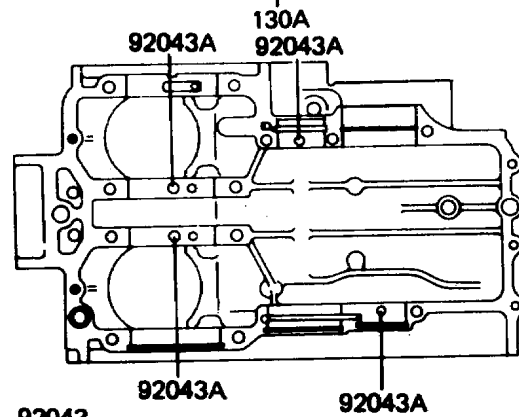
Crankcase Bolt Pattern

E1412-0005

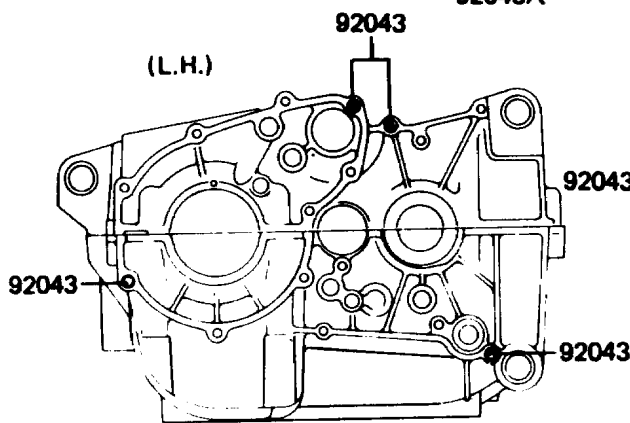
Upper Case (Outside)



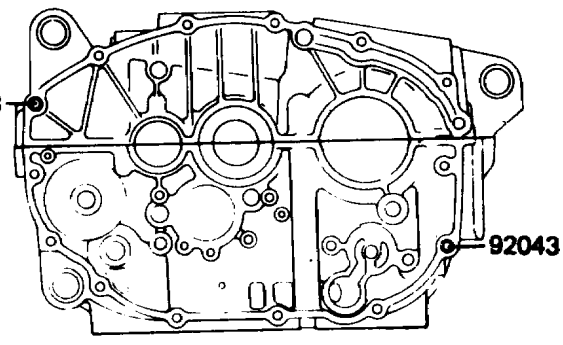
Upper Case (Inside)



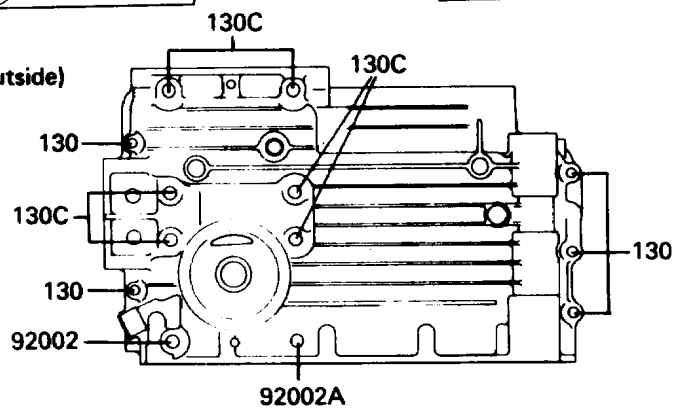
(L.H.)



(R.H.)



Lower Case (Outside)



1988 LTD

PARTS LIST

Crankcase Bolt Pattern

ITEM NAME

PART NUMBER

QUANTITY
