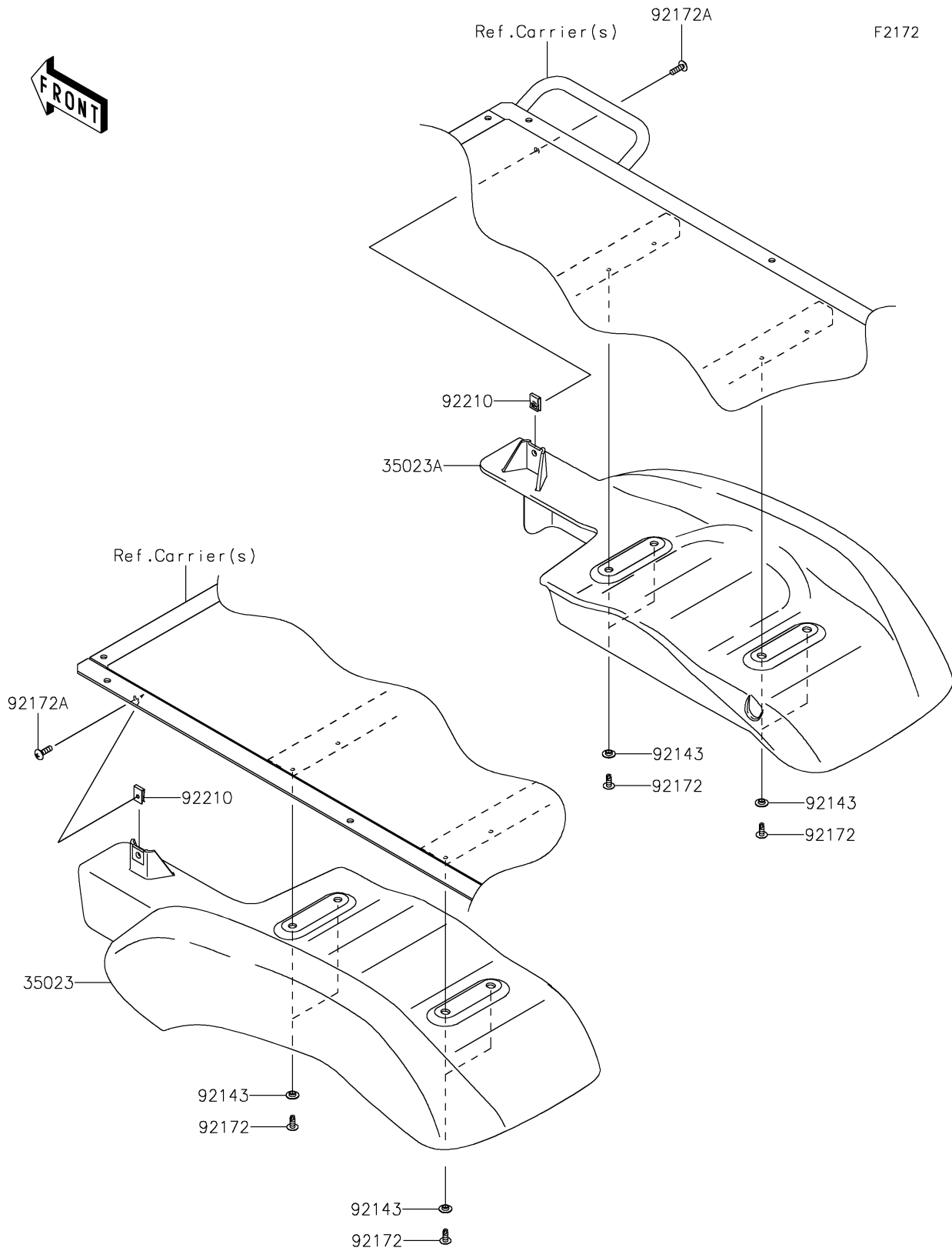


# 2020 MULE SX™

## PARTS DIAGRAM

### Rear Fender(s)



# 2020 MULE SX™

## PARTS LIST

### Rear Fender(s)

**ITEM NAME**

**PART NUMBER**

**QUANTITY**

---