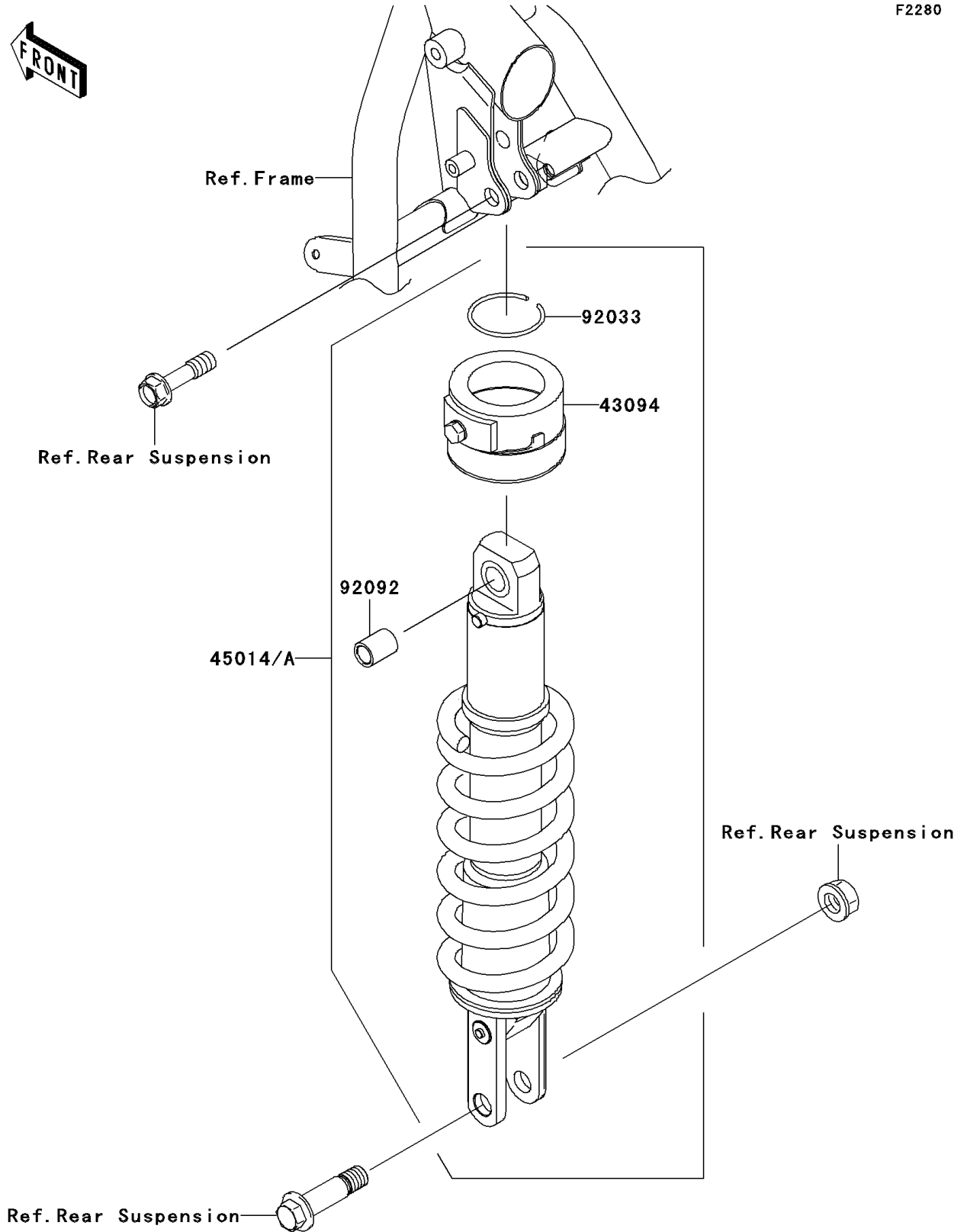


2009 KLR™ 650

PARTS DIAGRAM

Shock Absorber(s)

F2280



2009 KLR™ 650

PARTS LIST

Shock Absorber(s)

ITEM NAME

PART NUMBER

QUANTITY
