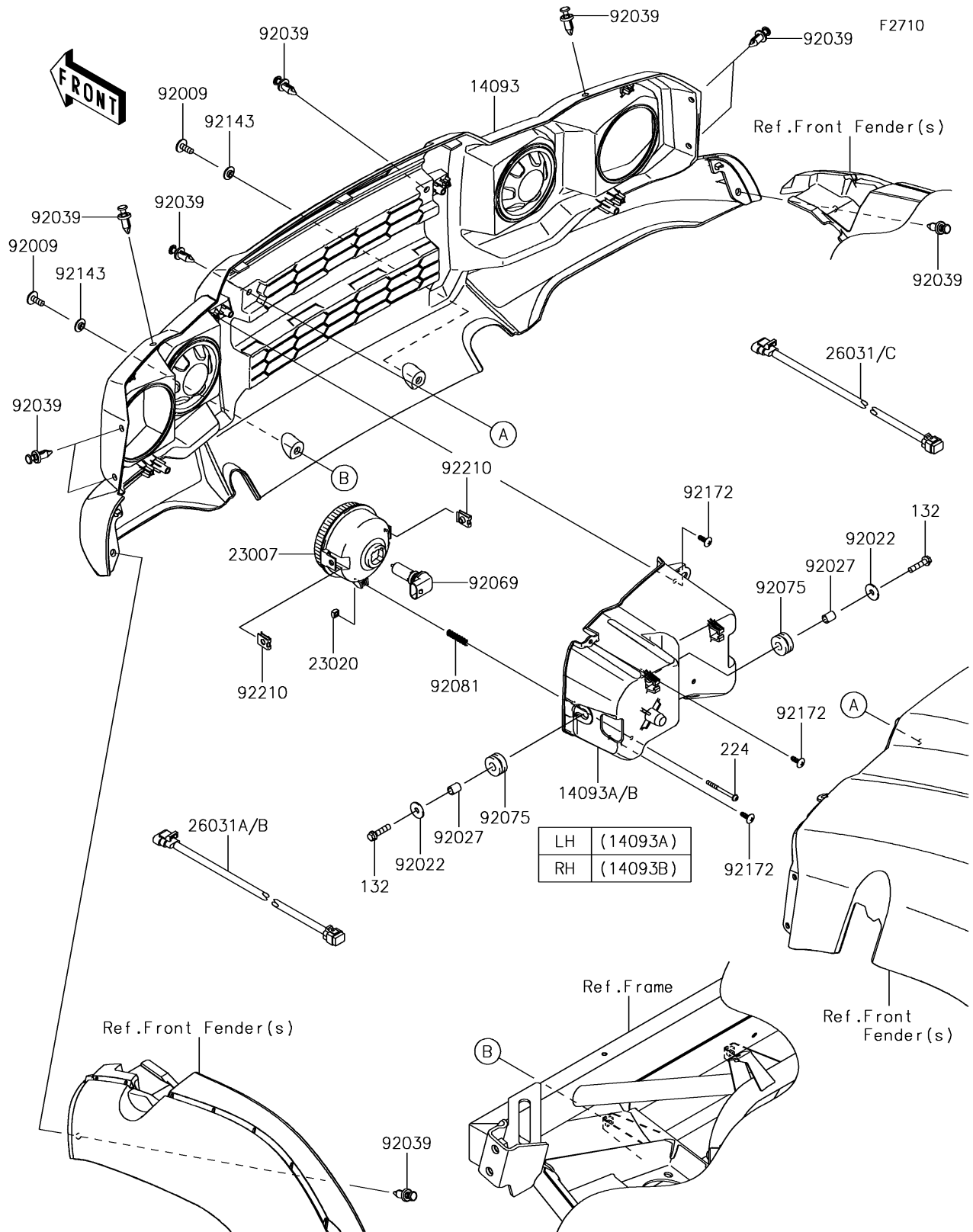


# 2019 MULE SX™ 4x4 SE

## PARTS DIAGRAM

### Headlight(s)



# 2019 MULE SX™ 4x4 SE

## PARTS LIST

### Headlight(s)

ITEM NAME	PART NUMBER	QUANTITY
COVER,FR GRILL (Ref # 14093)	14093-0392	1
COVER,HEAD LAMP,LH (Ref # 14093A)	14093-0394	1
COVER,HEAD LAMP,RH (Ref # 14093B)	14093-0395	1
LENS-COMP,HEAD LAMP (Ref # 23007)	23007-0096	2
NUT,4MM,FOCUS ADJUST (Ref # 23020)	23020-018	2
HARNESS,HEAD LAMP,LH (Ref # 26031B)	26031-2384	1
HARNESS,HEAD LAMP,RH (Ref # 26031C)	26031-2385	1
SCREW,6X16 (Ref # 92009)	92009-1621	2
WASHER,6.5X20X1.6 (Ref # 92022)	92022-125	4
COLLAR,6.8X10X12 (Ref # 92027)	92027-162	4
RIVET (Ref # 92039)	92039-0776	10
BULB,12V 35/35W (Ref # 92069)	92069-0019	2
DAMPER,10X24X12 (Ref # 92075)	92075-1690	4
SPRING,FOCUS ADJUST (Ref # 92081)	92081-1896	2
COLLAR (Ref # 92143)	92143-1087	2
SCREW,TAPPING,5X14 (Ref # 92172)	92172-0265	6
NUT (Ref # 92210)	92210-1125	4
BOLT-FLANGED-SMALL,6X25 (Ref # 132)	132BA0625	4
SCREW-PAN-WP-CROS,4X45 (Ref # 224)	224AA0445	2