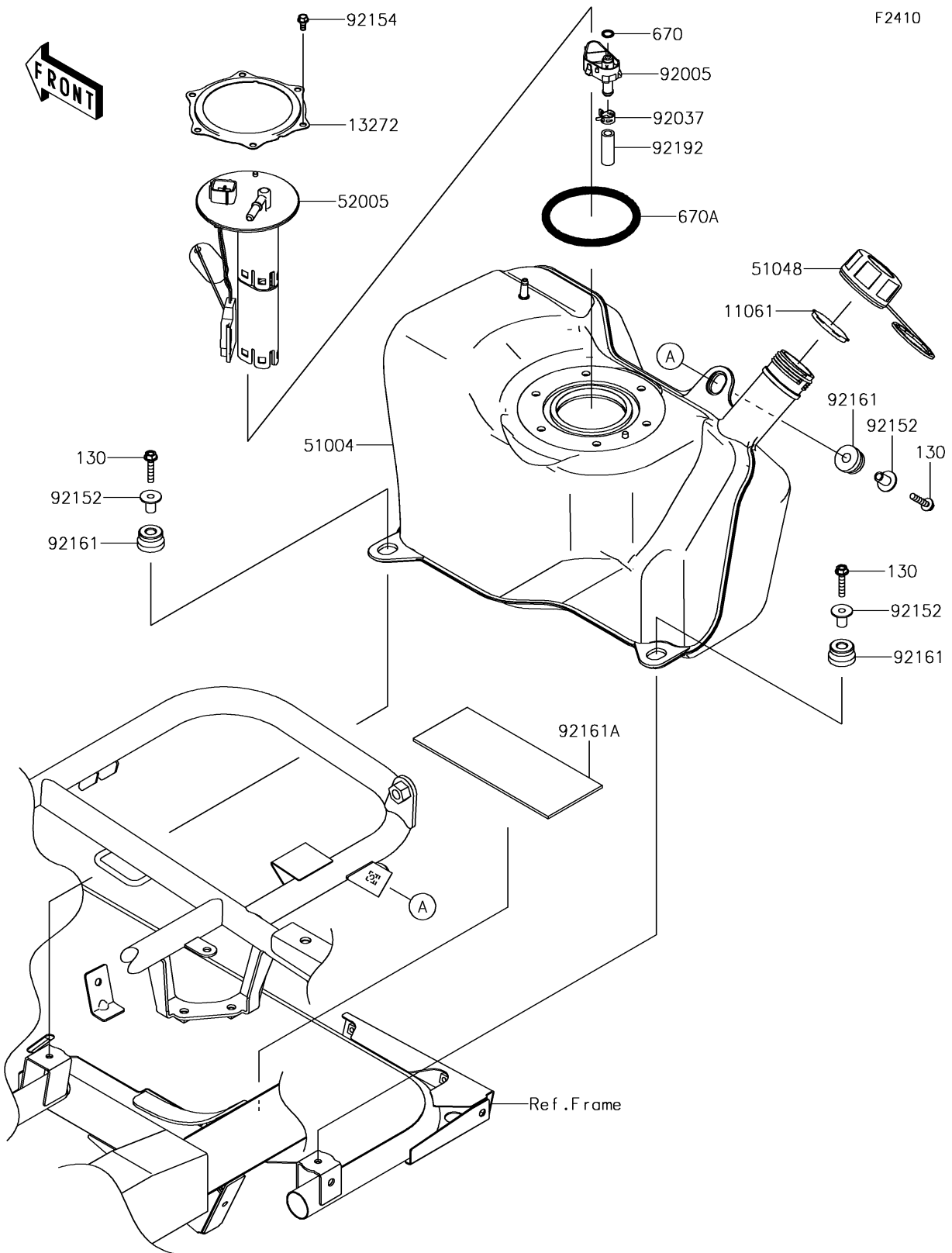


# 2017 Mule SX 4X4 SE

## PARTS DIAGRAM

### Fuel Tank



# 2017 Mule SX 4X4 SE

## PARTS LIST

Fuel Tank

**ITEM NAME**

**PART NUMBER**

**QUANTITY**

---