

2017 Mule SX 4X4 XC SE

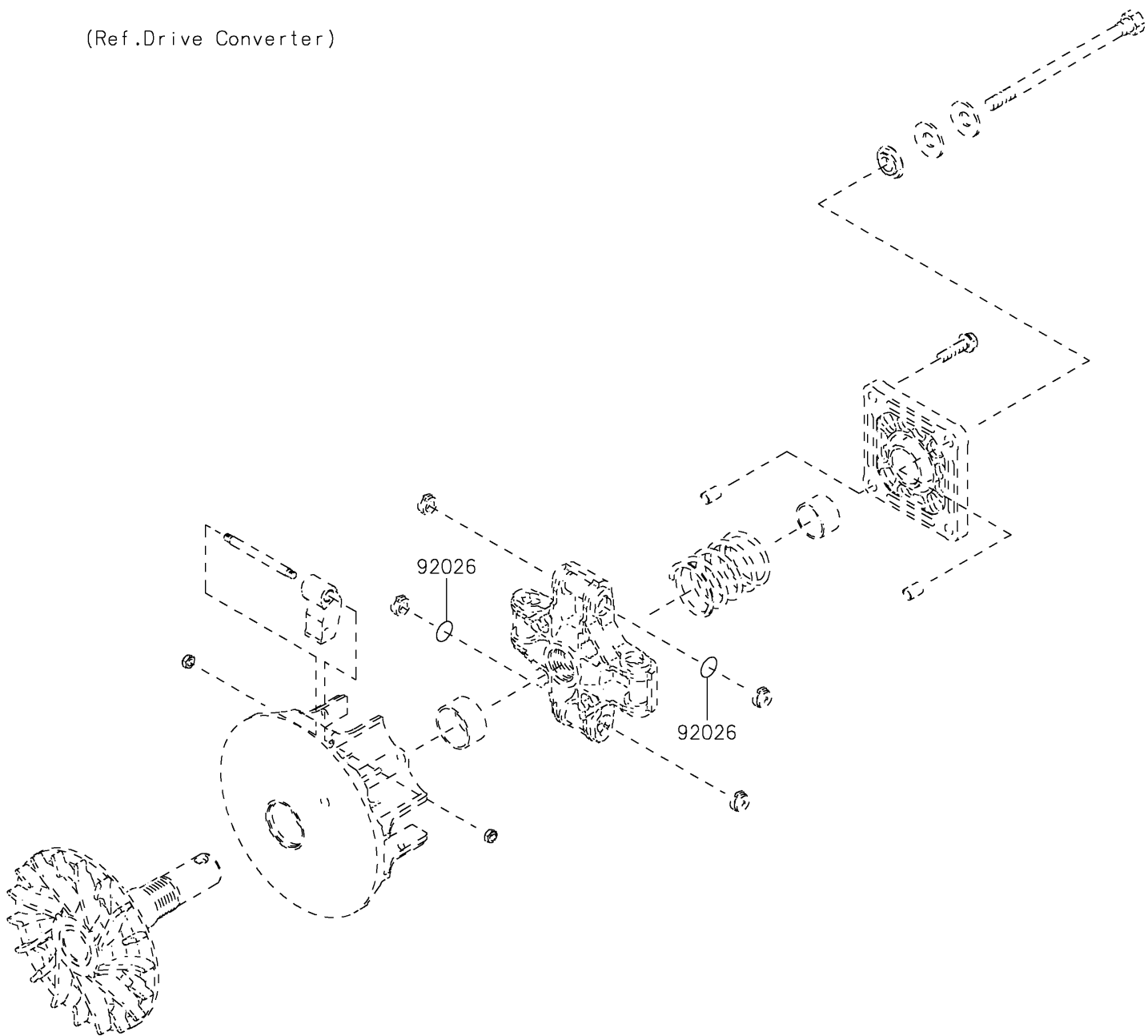
PARTS DIAGRAM

Optional Parts

F2890



(Ref. Drive Converter)



2017 Mule SX 4X4 XC SE

PARTS LIST Optional Parts



ITEM NAME	PART NUMBER	QUANTITY
-----------	-------------	----------
