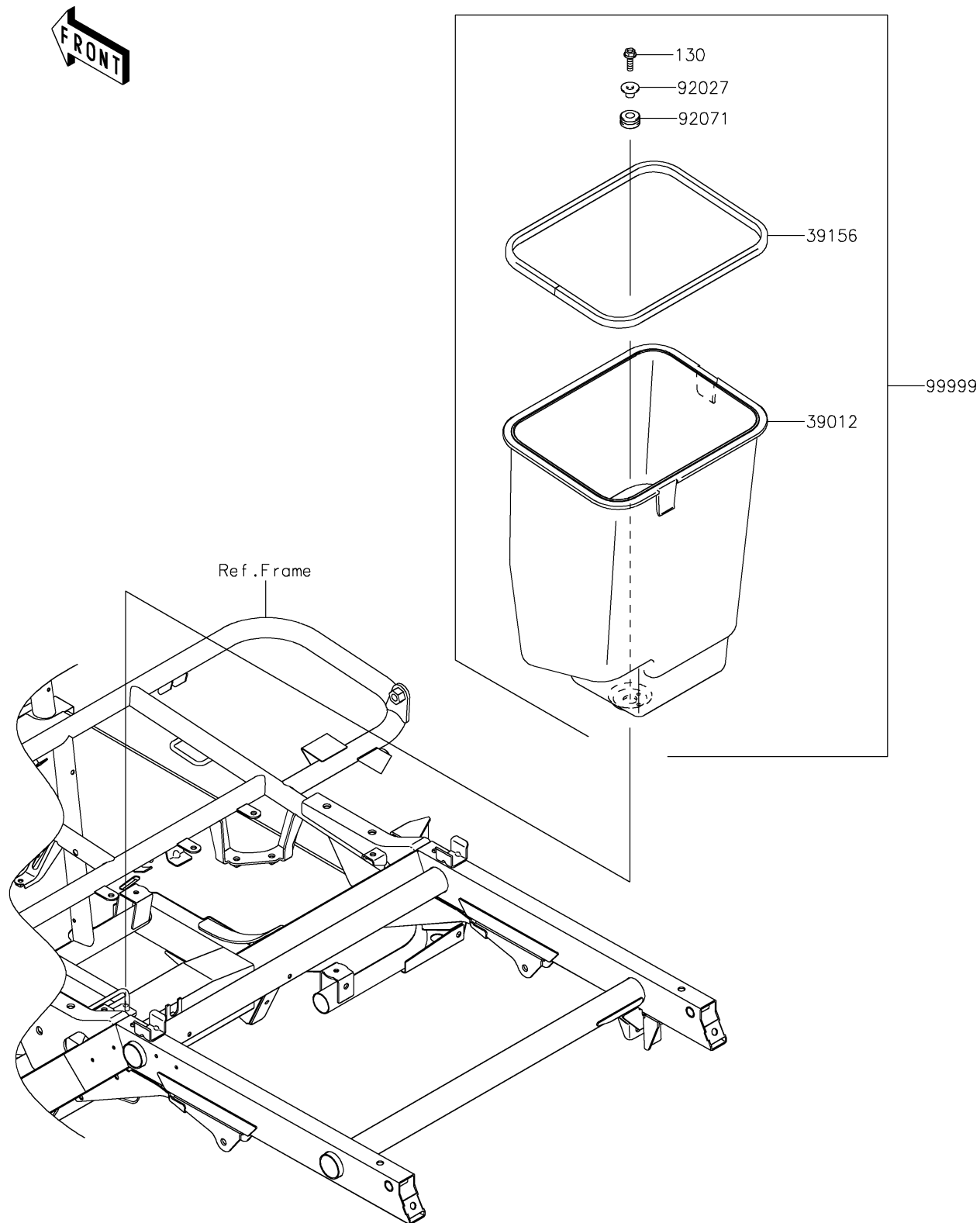


# 2019 MULE SX™ 4x4 XC CAMO

## PARTS DIAGRAM

### Optional Parts(Frame)

F2890A



# 2019 MULE SX™ 4x4 XC CAMO

## PARTS LIST

### Optional Parts(Frame)

| ITEM NAME | PART NUMBER | QUANTITY |
|-----------|-------------|----------|
|-----------|-------------|----------|

---