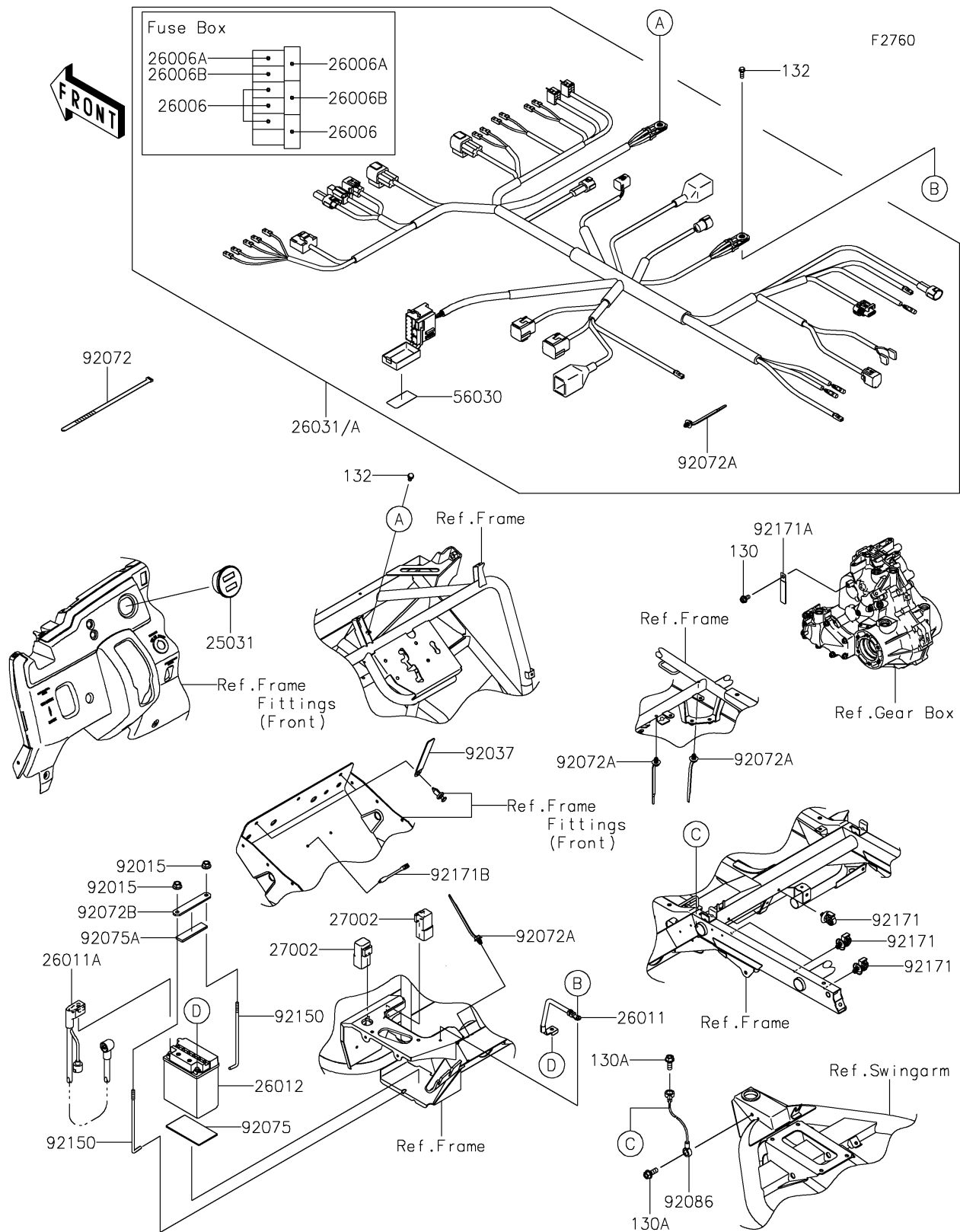


2019 MULE SX™ 4x4 XC CAMO

PARTS DIAGRAM

Chassis Electrical Equipment



2019 MULE SX™ 4x4 XC CAMO

PARTS LIST

Chassis Electrical Equipment

ITEM NAME	PART NUMBER	QUANTITY
-----------	-------------	----------
