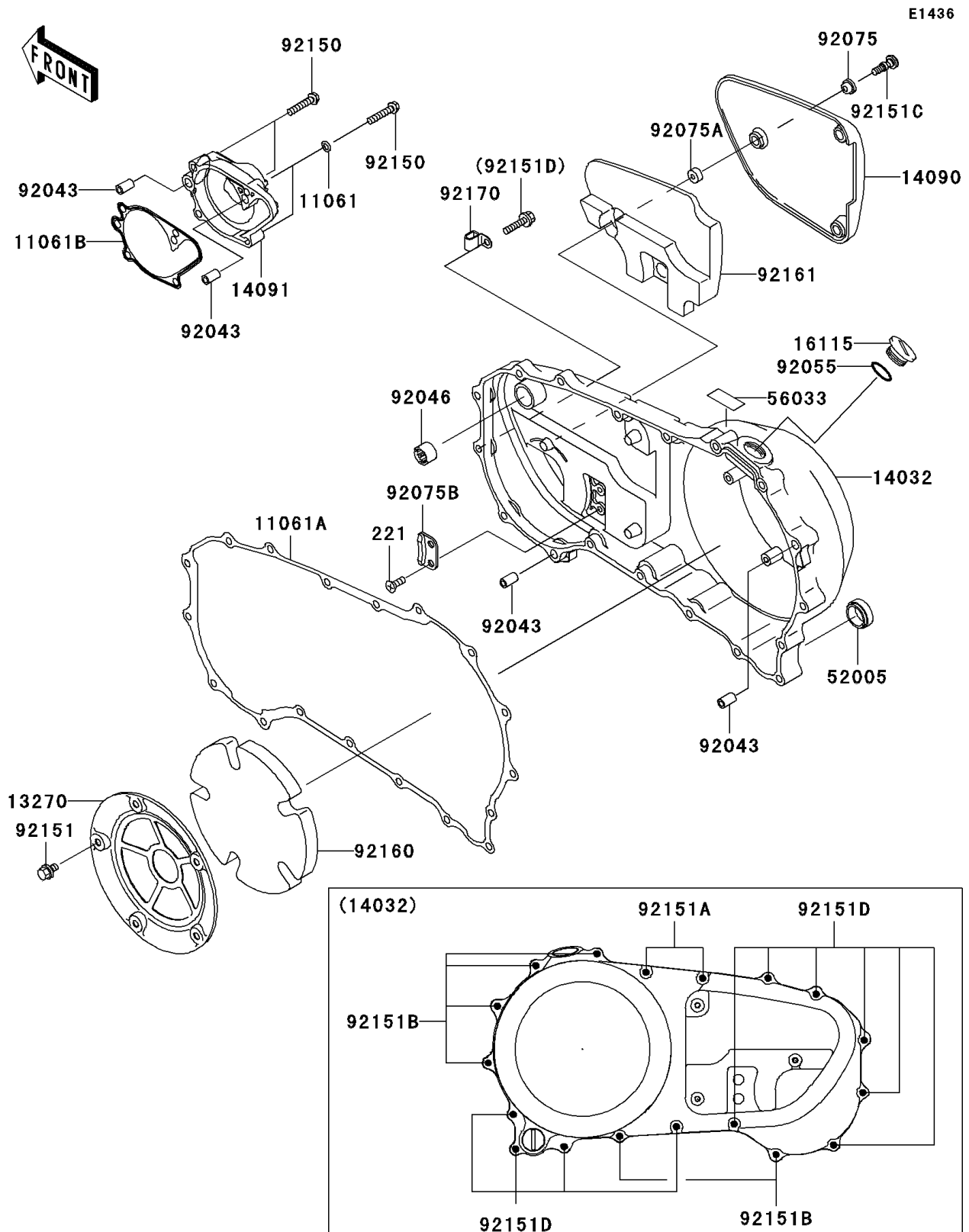


# 2008 Vulcan® 1600 Classic

## PARTS DIAGRAM

### Right Engine Cover(s)



# 2008 Vulcan® 1600 Classic

## PARTS LIST

### Right Engine Cover(s)

ITEM NAME	PART NUMBER	QUANTITY
-----------	-------------	----------

---