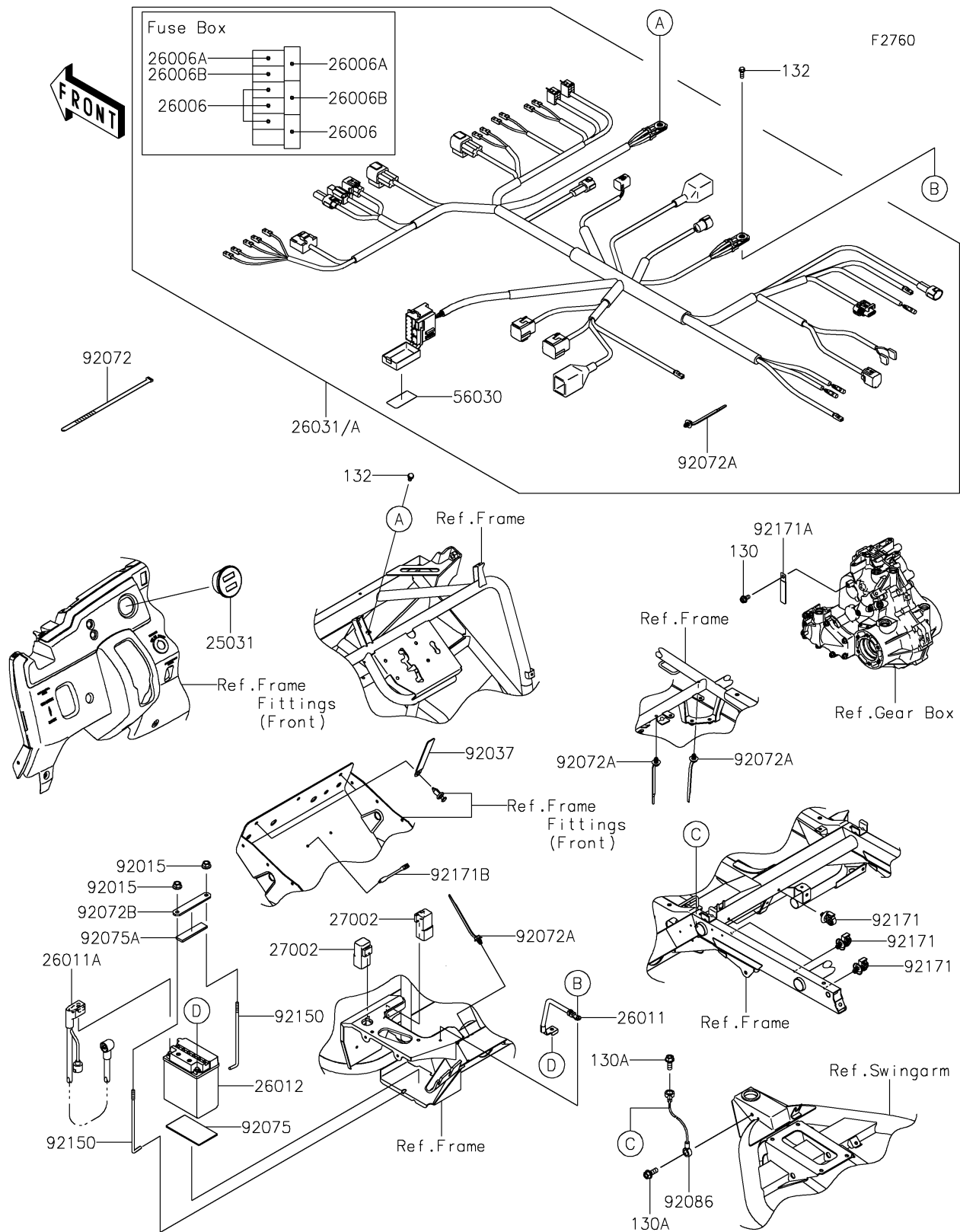


# 2018 MULE SX™ 4x4 XC

## PARTS DIAGRAM

### Chassis Electrical Equipment



# 2018 MULE SX™ 4x4 XC

## PARTS LIST

### Chassis Electrical Equipment

| ITEM NAME | PART NUMBER | QUANTITY |
|-----------|-------------|----------|
|-----------|-------------|----------|

---