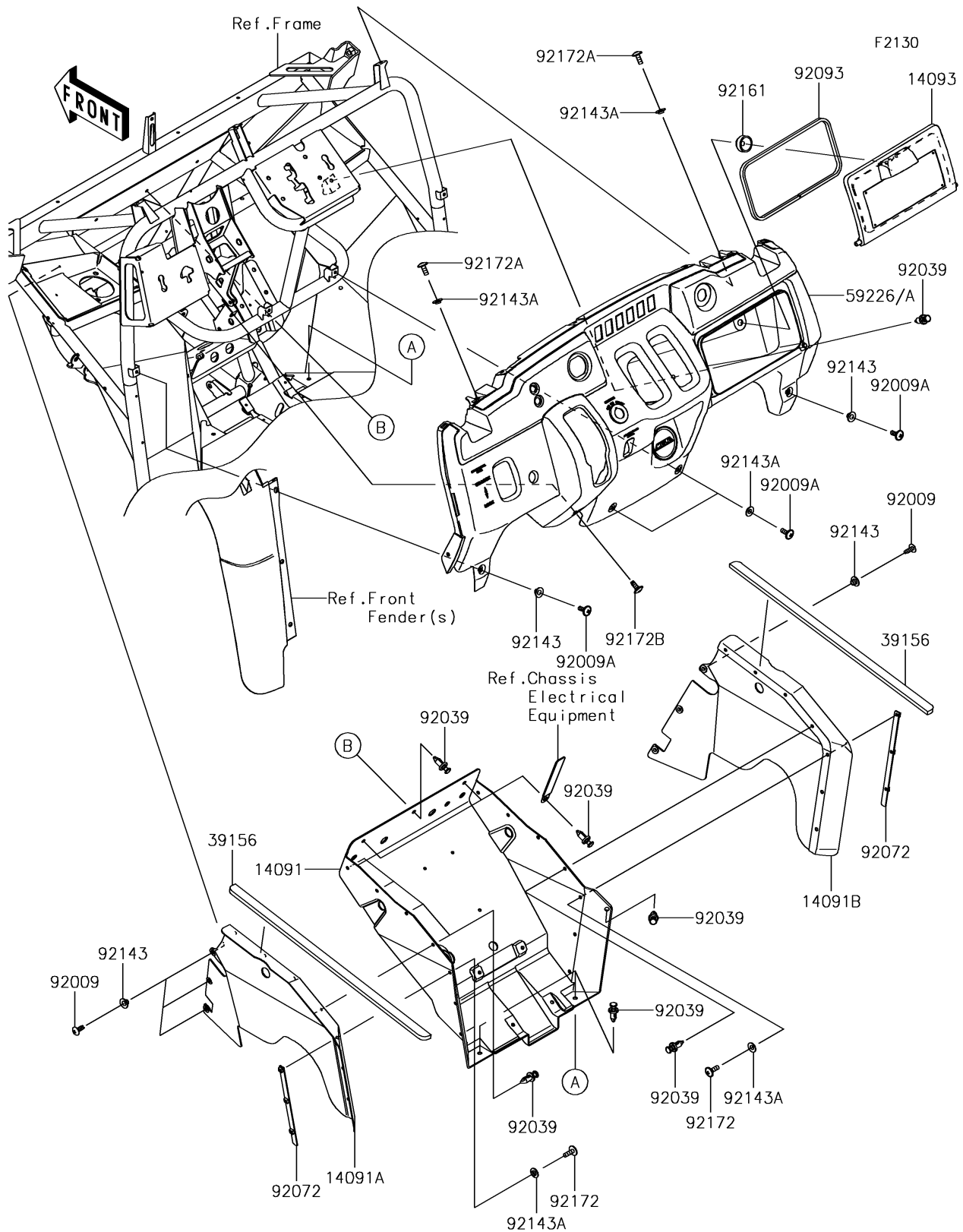


# 2018 MULE SX™ 4x4 XC

## PARTS DIAGRAM

### Frame Fittings(Front)



# 2018 MULE SX™ 4x4 XC

## PARTS LIST

### Frame Fittings(Front)

ITEM NAME	PART NUMBER	QUANTITY
-----------	-------------	----------

---