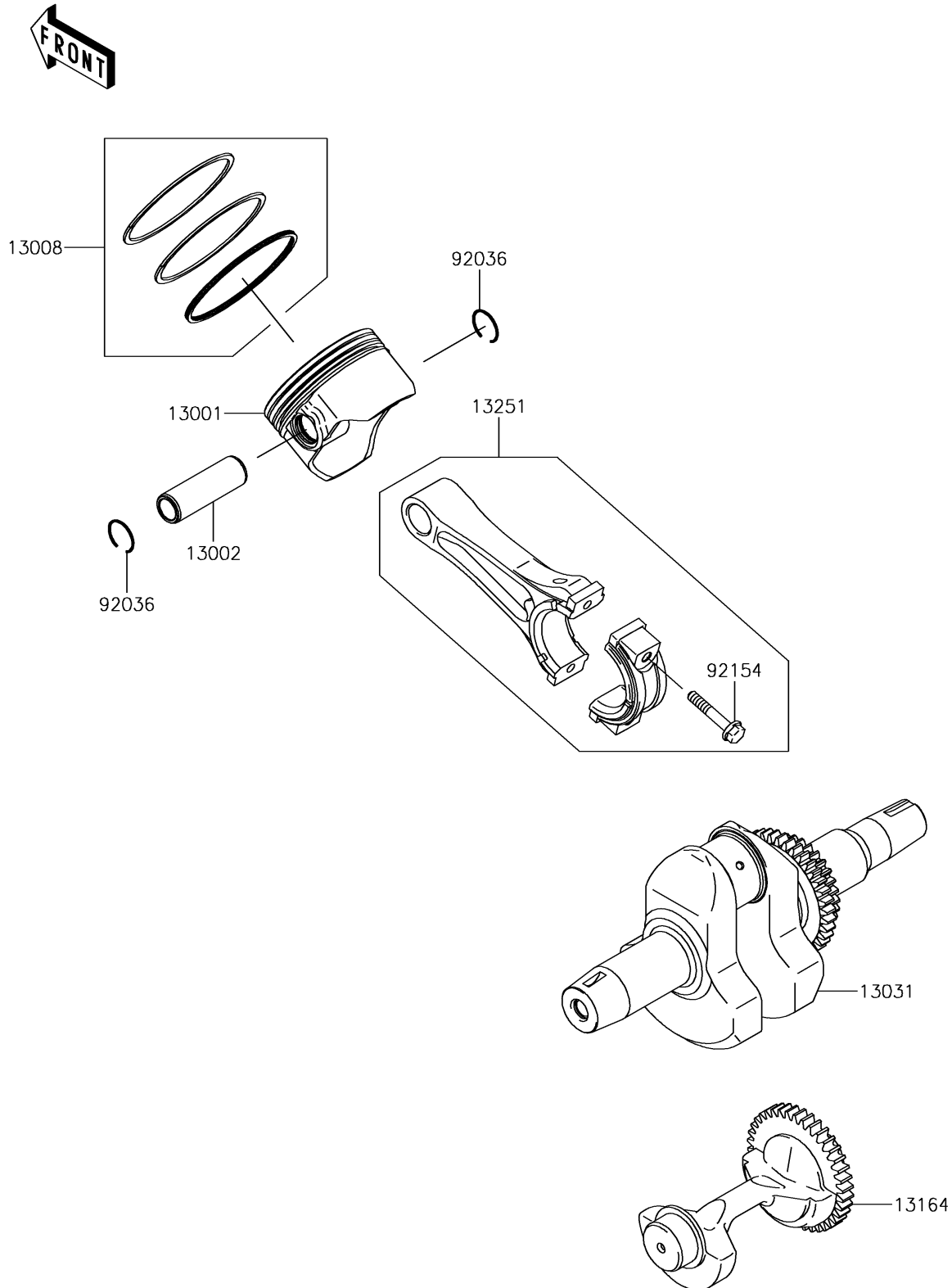


# 2018 MULE SX™ 4x4 XC

## PARTS DIAGRAM Crankshaft/Piston(s)

E1320



# 2018 MULE SX™ 4x4 XC

## PARTS LIST

### Crankshaft/Piston(s)

| ITEM NAME | PART NUMBER | QUANTITY |
|-----------|-------------|----------|
|-----------|-------------|----------|

---