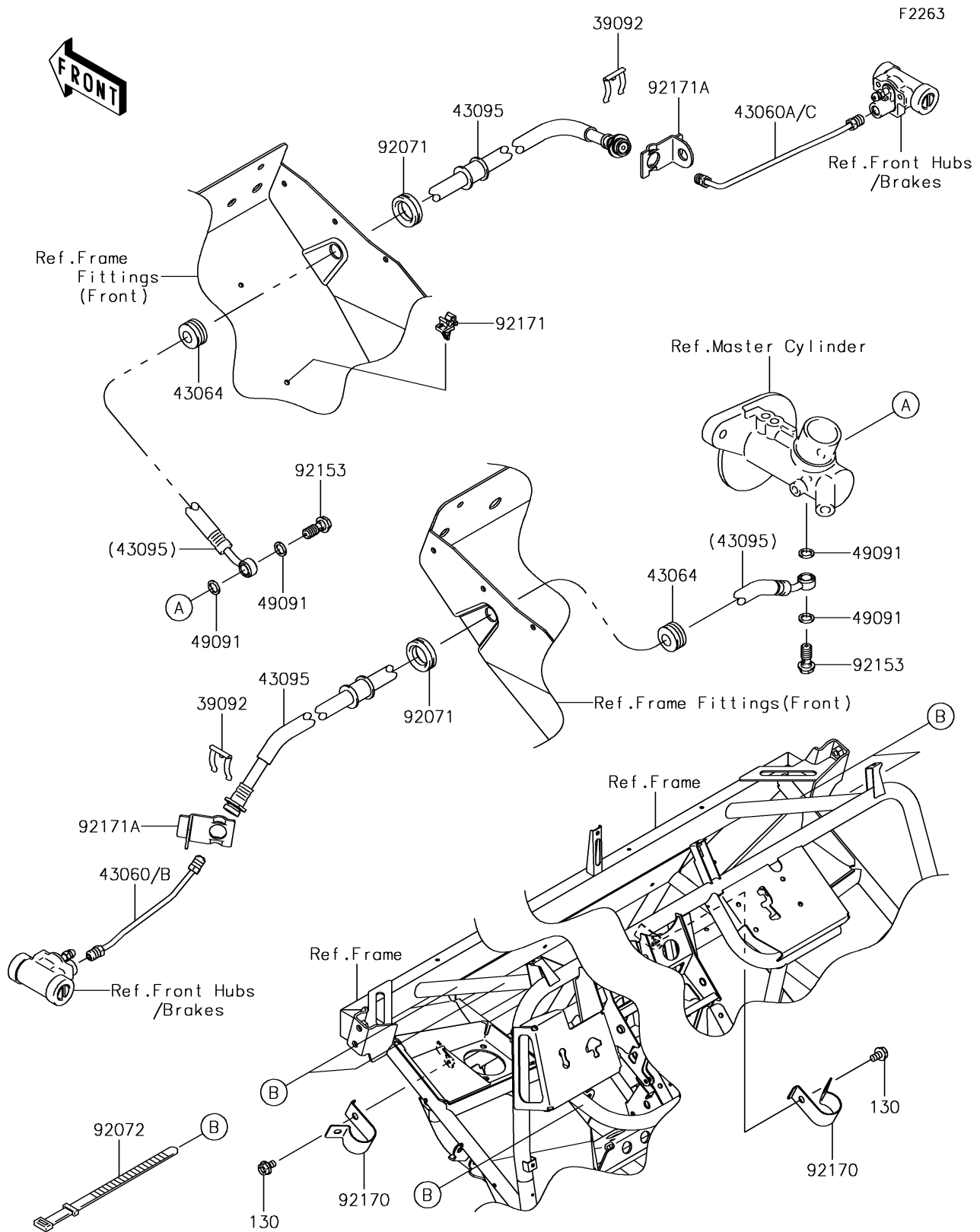


# 2017 MULE SX™

## PARTS DIAGRAM

### Front Brake Piping



# 2017 MULE SX™

## PARTS LIST

### Front Brake Piping

**ITEM NAME**

**PART NUMBER**

**QUANTITY**

---