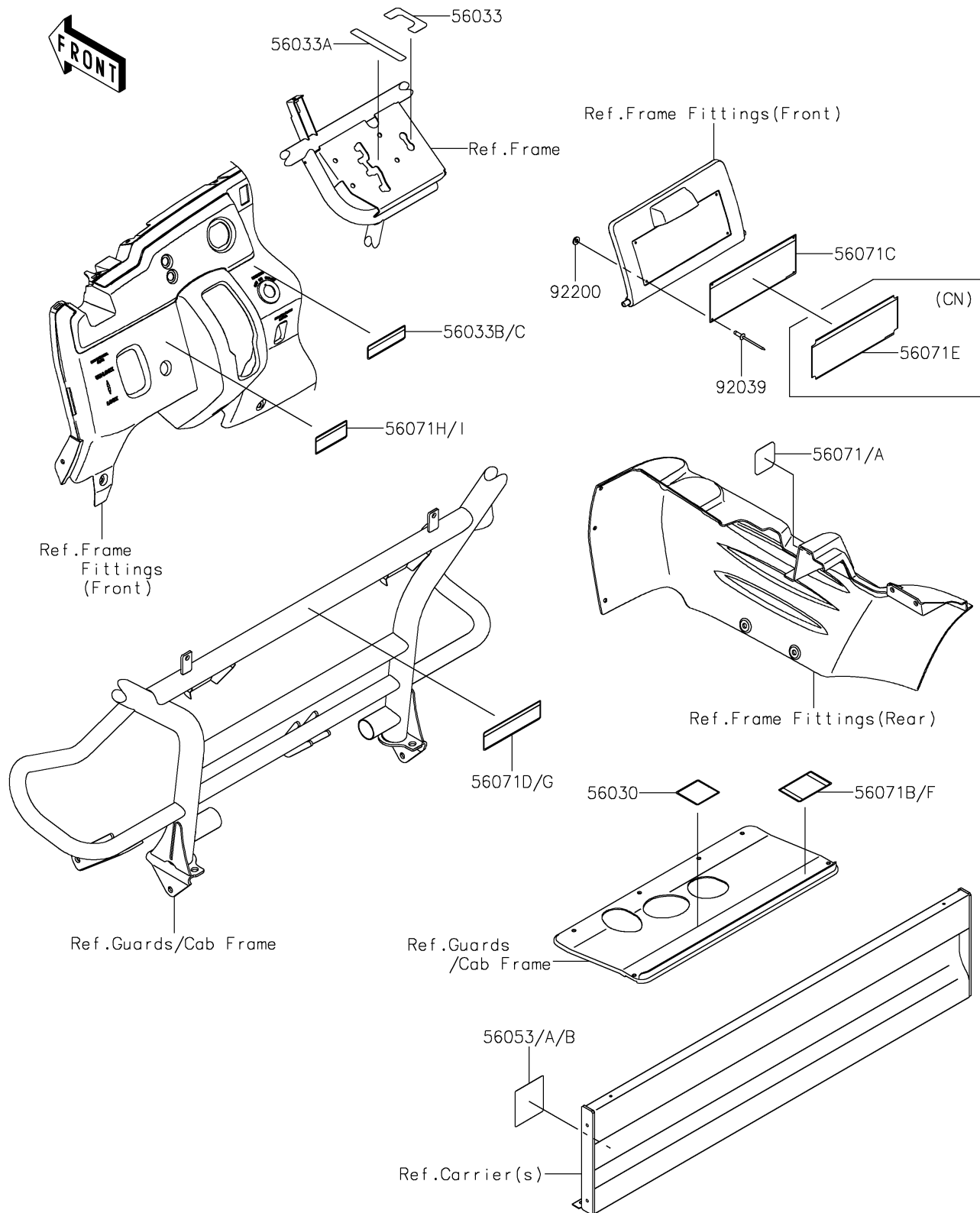


2018 MULE SX™ 4x4

PARTS DIAGRAM

Labels

F2860



2018 MULE SX™ 4x4

PARTS LIST

Labels

ITEM NAME	PART NUMBER	QUANTITY
LABEL,OIL GAUGE (Ref # 56030)	56030-0984	1
LABEL-MANUAL,2/4WD (Ref # 56033)	56033-0052	1
LABEL-MANUAL,SHIFT (Ref # 56033A)	56033-0056	1
LABEL-MANUAL,SHIFT NOTICE (Ref # 56033B)	56033-0822	1
LABEL-MANUAL,SHIFT NOTICE (Ref # 56033C)	56033-0826	1
LABEL-SPECIFICATION,TIRE&LOAD (Ref # 56053)	56053-1166	1
LABEL-SPECIFICATION,TIRE&LOAD (Ref # 56053A)	56053-1167	1
LABEL-WARNING,GASOLINE (Ref # 56071)	56071-0588	1
LABEL-WARNING,GASOLINE (Ref # 56071A)	56071-0593	1
LABEL-WARNING,HOT SURFACE (Ref # 56071B)	56071-0596	1
LABEL-WARNING,GENERAL (Ref # 56071C)	56071-0597	1
LABEL-WARNING,CARGO BED (Ref # 56071D)	56071-0599	1
LABEL-WARNING,GENERAL (Ref # 56071E)	56071-0601	1
LABEL-WARNING,HOT SURFACE (Ref # 56071F)	56071-0603	1
LABEL-WARNING,CARGO BED (Ref # 56071G)	56071-0605	1
LABEL-WARNING,CARGO BED (Ref # 56071H)	56071-0638	1
LABEL-WARNING,CARGO BED (Ref # 56071I)	56071-0639	1
RIVET,3.2X8 (Ref # 92039)	92039-3763	4
WASHER,3.5X8X1 (Ref # 92200)	92200-1251	4