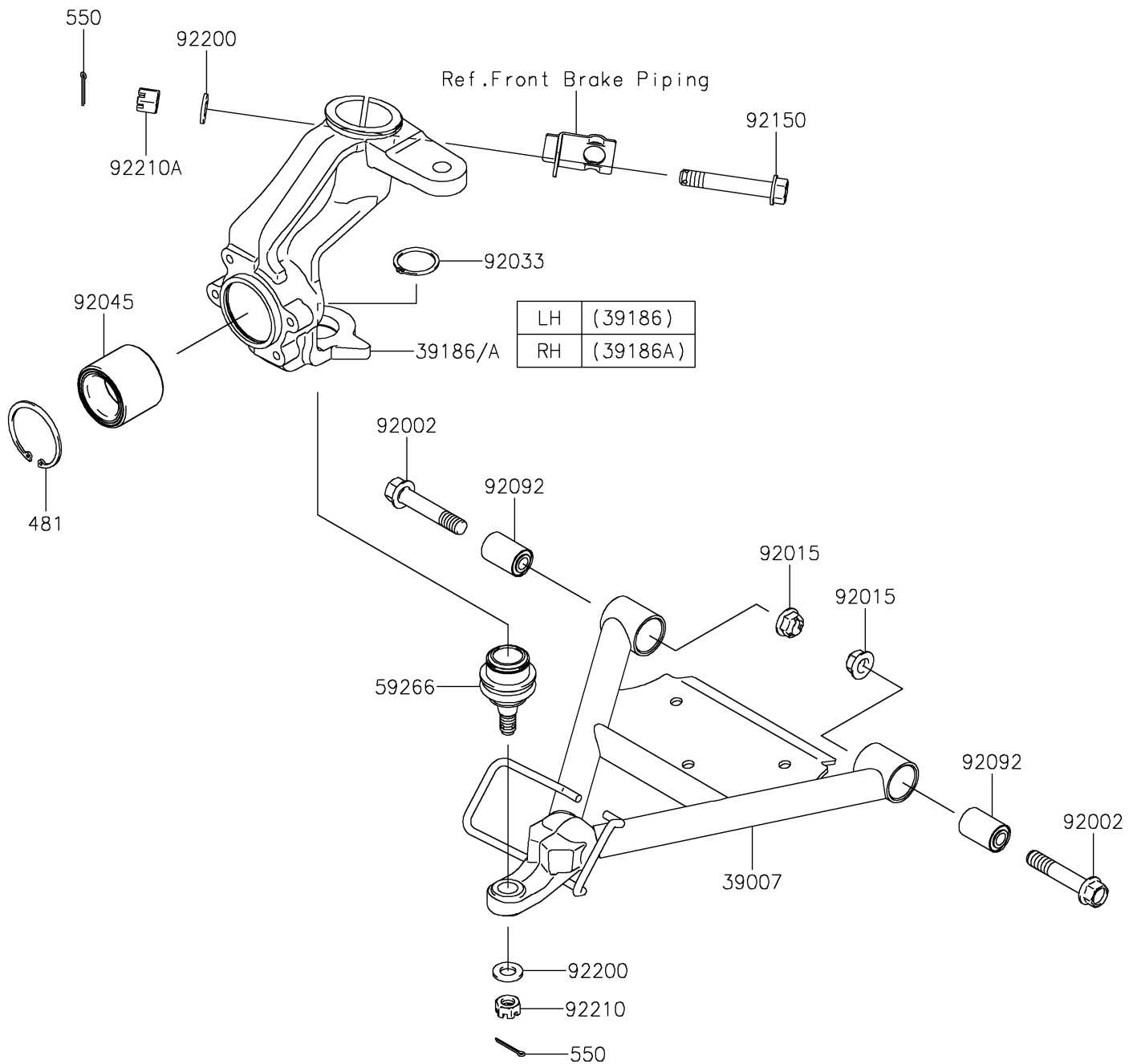


# 2017 MULE SX™ 4x4

## PARTS DIAGRAM

### Suspension

F2150



# 2017 MULE SX™ 4x4

## PARTS LIST

### Suspension

**ITEM NAME**

**PART NUMBER**

**QUANTITY**

---