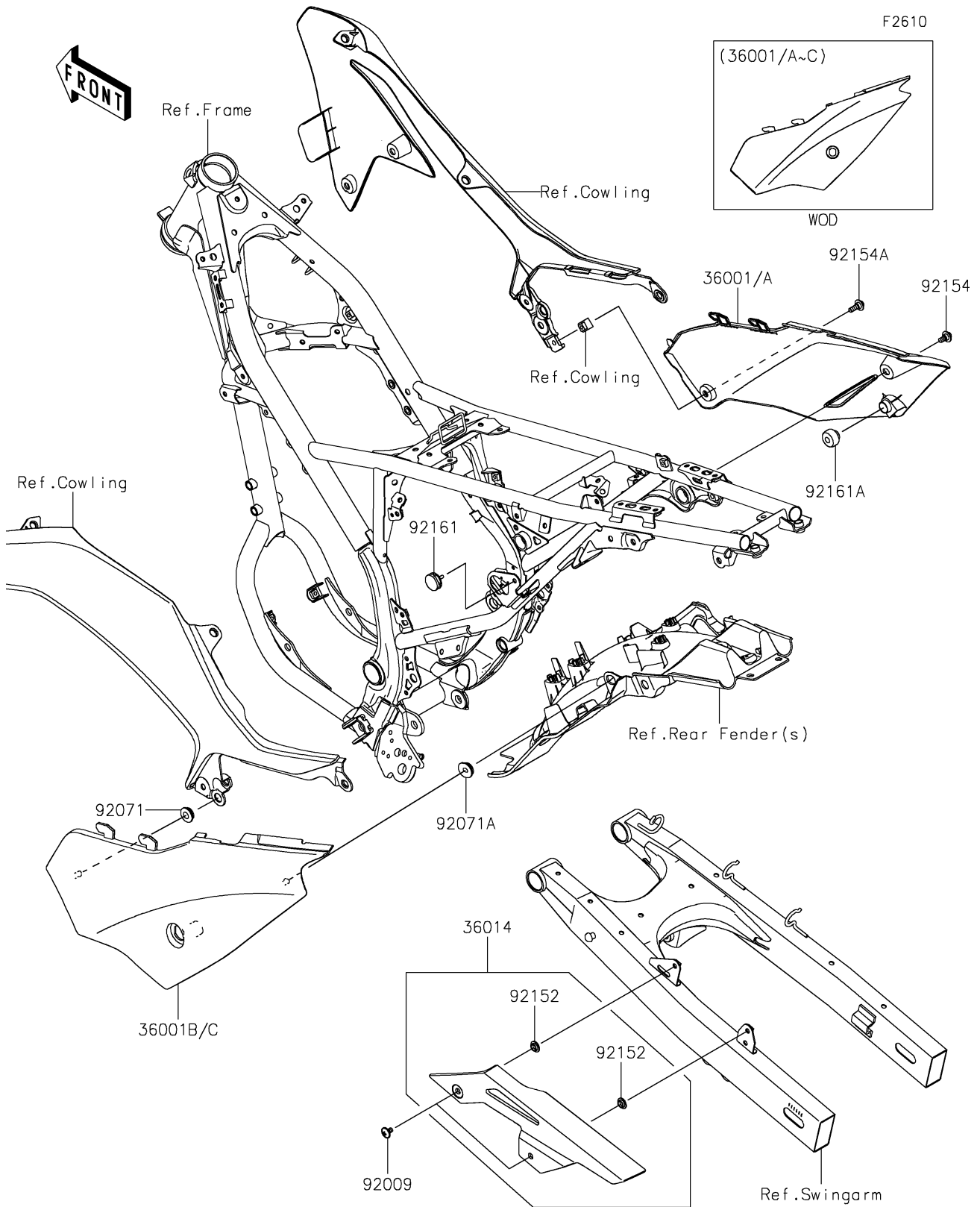


# 2022 KLX<sup>®</sup>230

## PARTS DIAGRAM

### Side Covers/Chain Cover



# 2022 KLX<sup>®</sup> 230

## PARTS LIST

### Side Covers/Chain Cover

**ITEM NAME**

**PART NUMBER**

**QUANTITY**

---