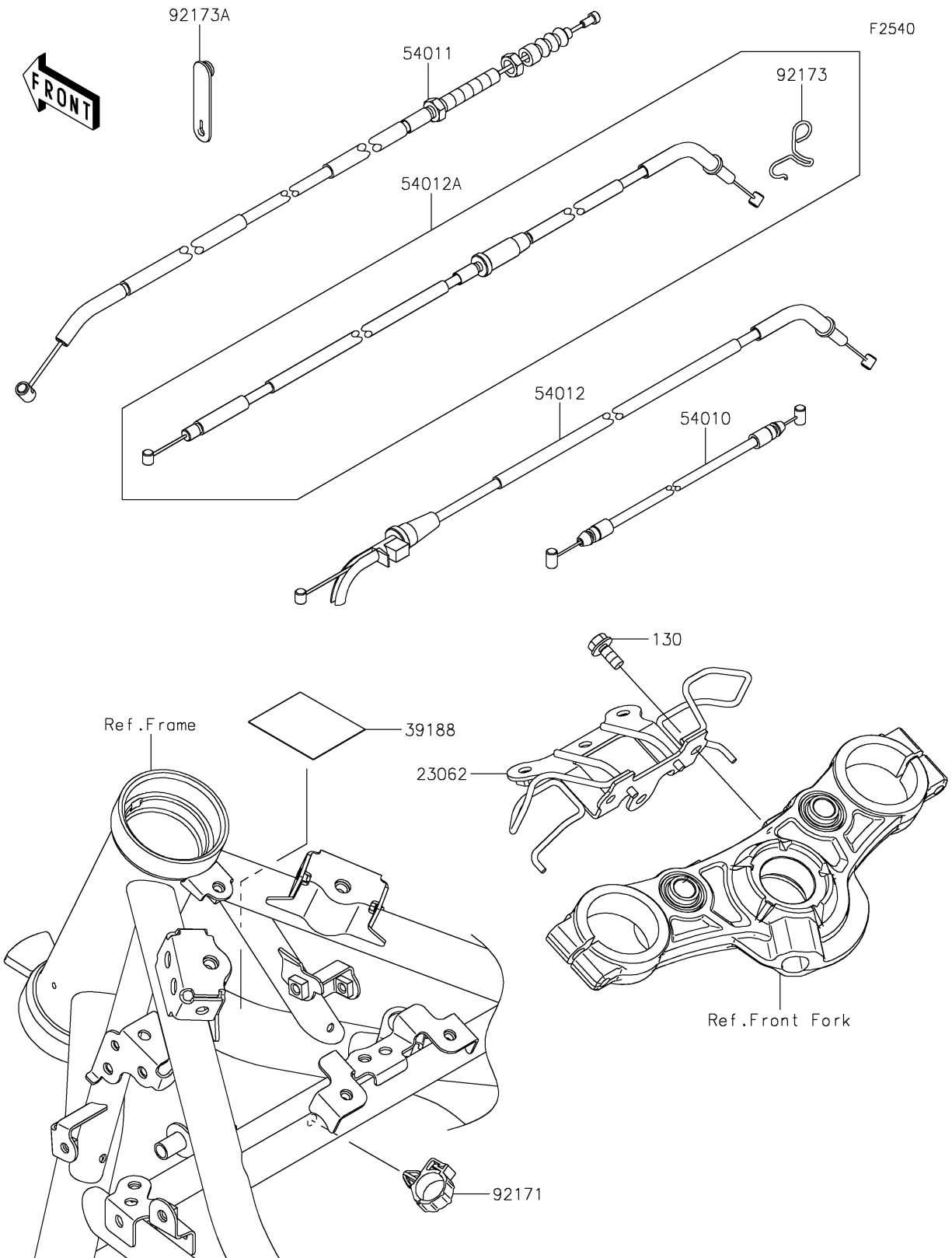


# 2022 Z650 ABS

## PARTS DIAGRAM

### Cables



# 2022 Z650 ABS

## PARTS LIST

### Cables

**ITEM NAME**

**PART NUMBER**

**QUANTITY**

---