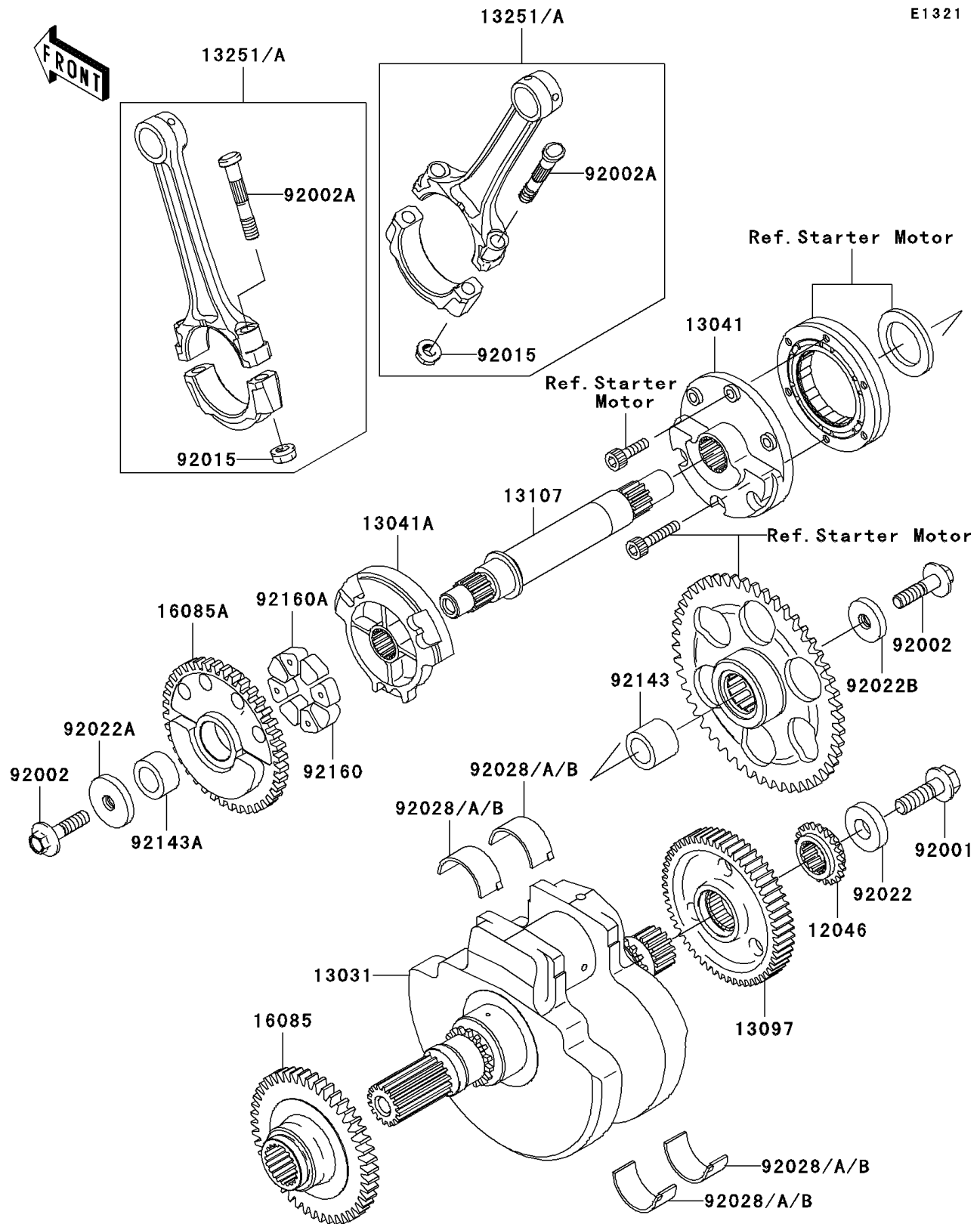


2008 Vulcan® 1600 Classic

PARTS DIAGRAM

Crankshaft



2008 Vulcan® 1600 Classic

PARTS LIST

Crankshaft

ITEM NAME

PART NUMBER

QUANTITY
