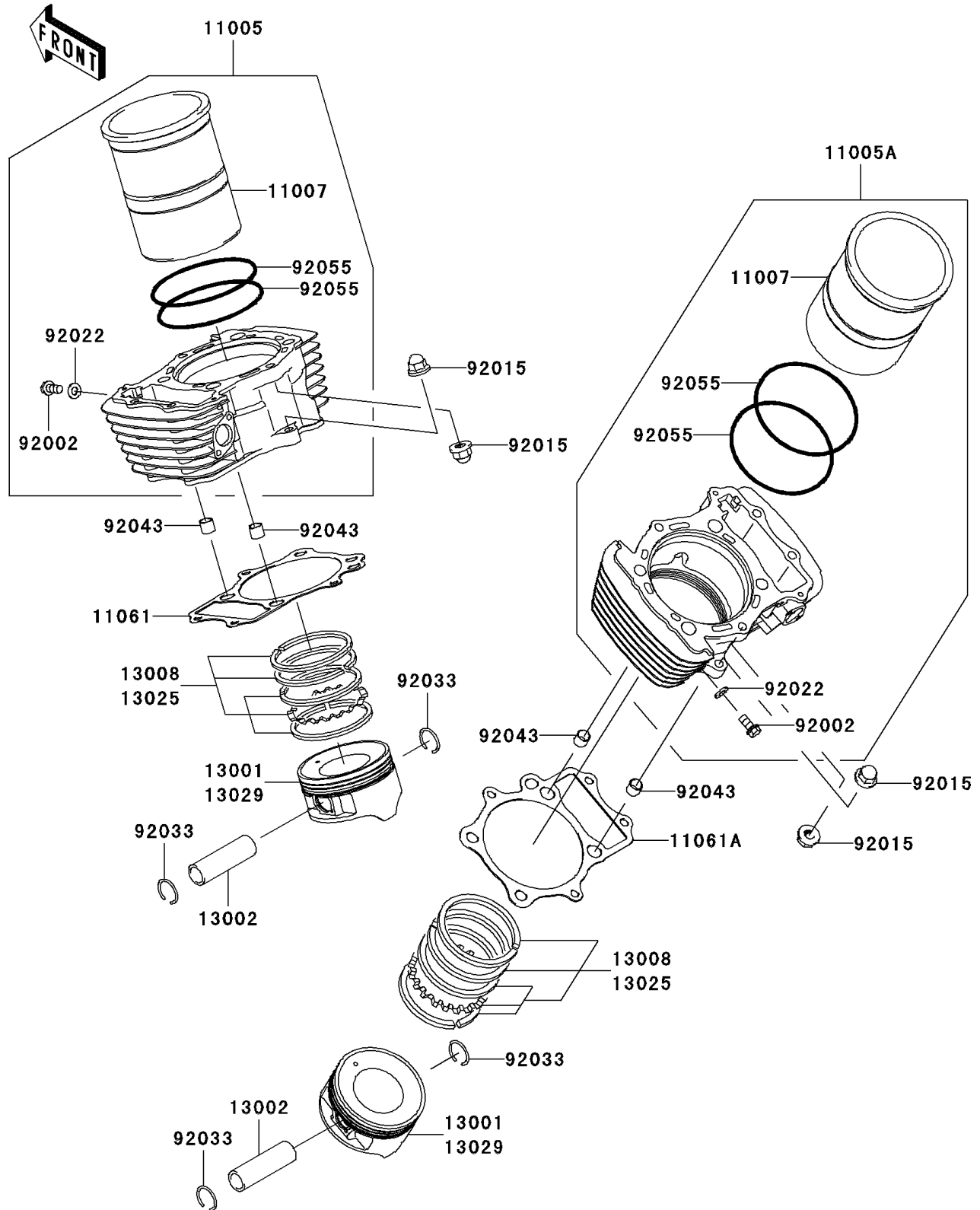


# 2008 Vulcan® 1600 Classic

## PARTS DIAGRAM

### Cylinder/Piston(s)

E1120



# 2008 Vulcan® 1600 Classic

## PARTS LIST

Cylinder/Piston(s)

ITEM NAME	PART NUMBER	QUANTITY
-----------	-------------	----------

---