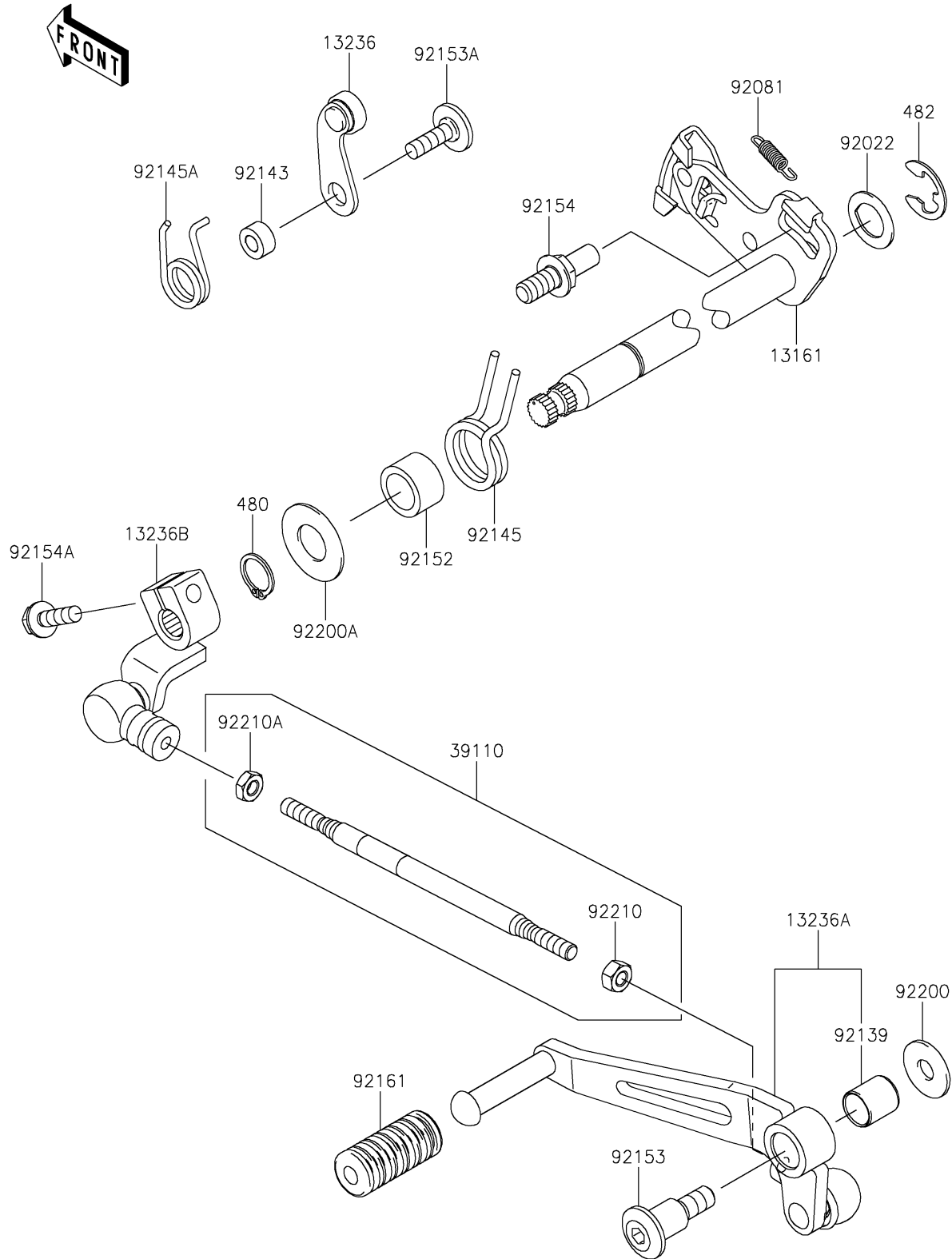


# 2022 Z900

## PARTS DIAGRAM

### Gear Change Mechanism

E1370



# 2022 Z900

## PARTS LIST

### Gear Change Mechanism

| ITEM NAME                              | PART NUMBER | QUANTITY |
|----------------------------------------|-------------|----------|
| LEVER-COMP-CHANGE SHAFT (Ref # 13161)  | 13161-0592  | 1        |
| LEVER-COMP (Ref # 13236)               | 13236-0068  | 1        |
| LEVER-COMP,CHANGE PEDAL (Ref # 13236A) | 13236-0783  | 1        |
| LEVER-COMP,ENGINE SIDE (Ref # 13236B)  | 13236-0784  | 1        |
| ROD-ASSY-TIE (Ref # 39110)             | 39110-0033  | 1        |
| WASHER,CHANGE SHAFT (Ref # 92022)      | 92022-1628  | 1        |
| SPRING,PAWL RETURN (Ref # 92081)       | 92081-1708  | 1        |
| BUSHING (Ref # 92139)                  | 92139-0023  | 1        |
| COLLAR (Ref # 92143)                   | 92143-1595  | 1        |
| SPRING (Ref # 92145)                   | 92145-1122  | 1        |
| SPRING,GEAR POSITION (Ref # 92145A)    | 92145-1872  | 1        |
| COLLAR,14.2X19.9X12.0 (Ref # 92152)    | 92152-1383  | 1        |
| BOLT,SOCKET,8X16.7 (Ref # 92153)       | 92153-0446  | 1        |
| BOLT,6X20 (Ref # 92153A)               | 92153-1505  | 1        |
| BOLT,RETURN SPRING (Ref # 92154)       | 92154-1838  | 1        |
| BOLT,FLANGED,6X20 (Ref # 92154A)       | 92154-2090  | 1        |
| DAMPER,CHANGE PEDAL (Ref # 92161)      | 92161-2389  | 1        |
| WASHER,8.0X22.0X1.5 (Ref # 92200)      | 92200-0174  | 1        |
| WASHER (Ref # 92200A)                  | 92200-0265  | 1        |
| NUT,6MM (Ref # 92210)                  | 92210-1100  | 1        |
| NUT,LEFT HANDED,6MM (Ref # 92210A)     | 92210-1101  | 1        |
| CIRCLIP-TYPE-C,14MM (Ref # 480)        | 480J1400    | 1        |
| CIRCLIP-TYPE-E,12MM (Ref # 482)        | 482J0200    | 1        |