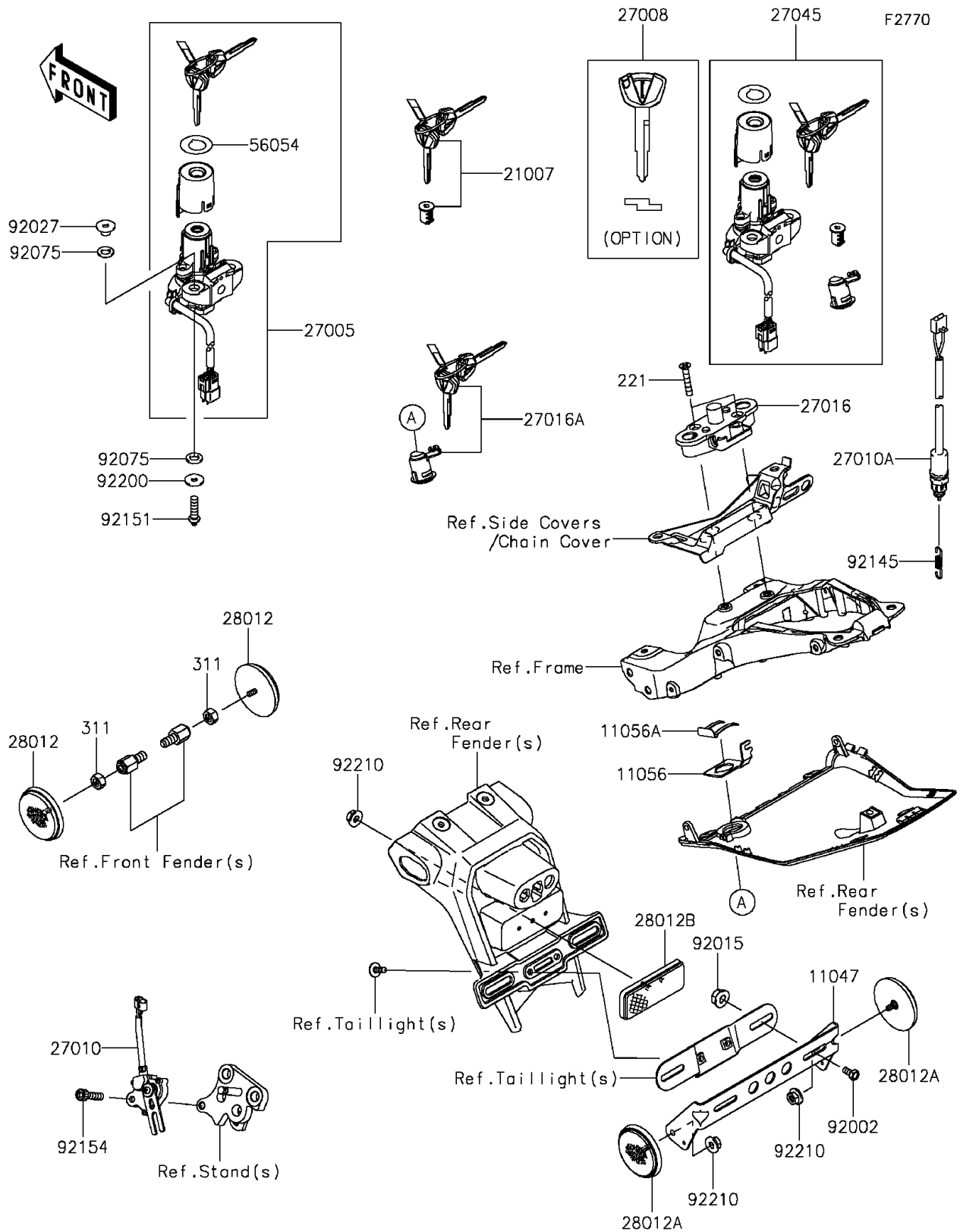


# 2015 Ninja<sup>®</sup> ZX<sup>™</sup>-10R ABS

## PARTS DIAGRAM

### Ignition Switch/Locks/Reflectors



# 2015 Ninja® ZX™-10R ABS

## PARTS LIST

Ignition Switch/Locks/Reflectors

**ITEM NAME**

**PART NUMBER**

**QUANTITY**

---