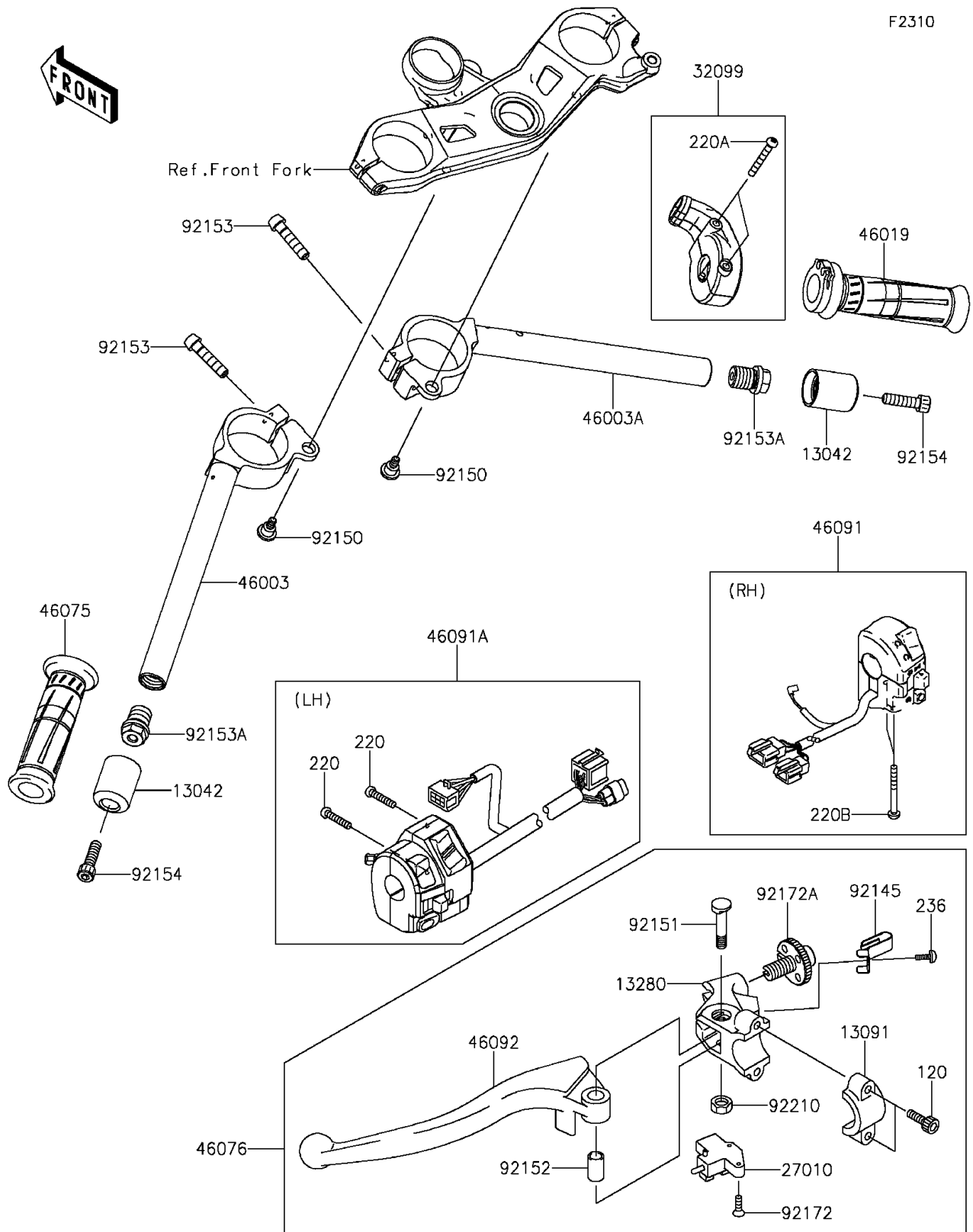


# 2015 Ninja® ZX™-10R ABS

## PARTS DIAGRAM

### Handlebar



# 2015 Ninja® ZX™-10R ABS

## PARTS LIST

### Handlebar

**ITEM NAME**

**PART NUMBER**

**QUANTITY**

---