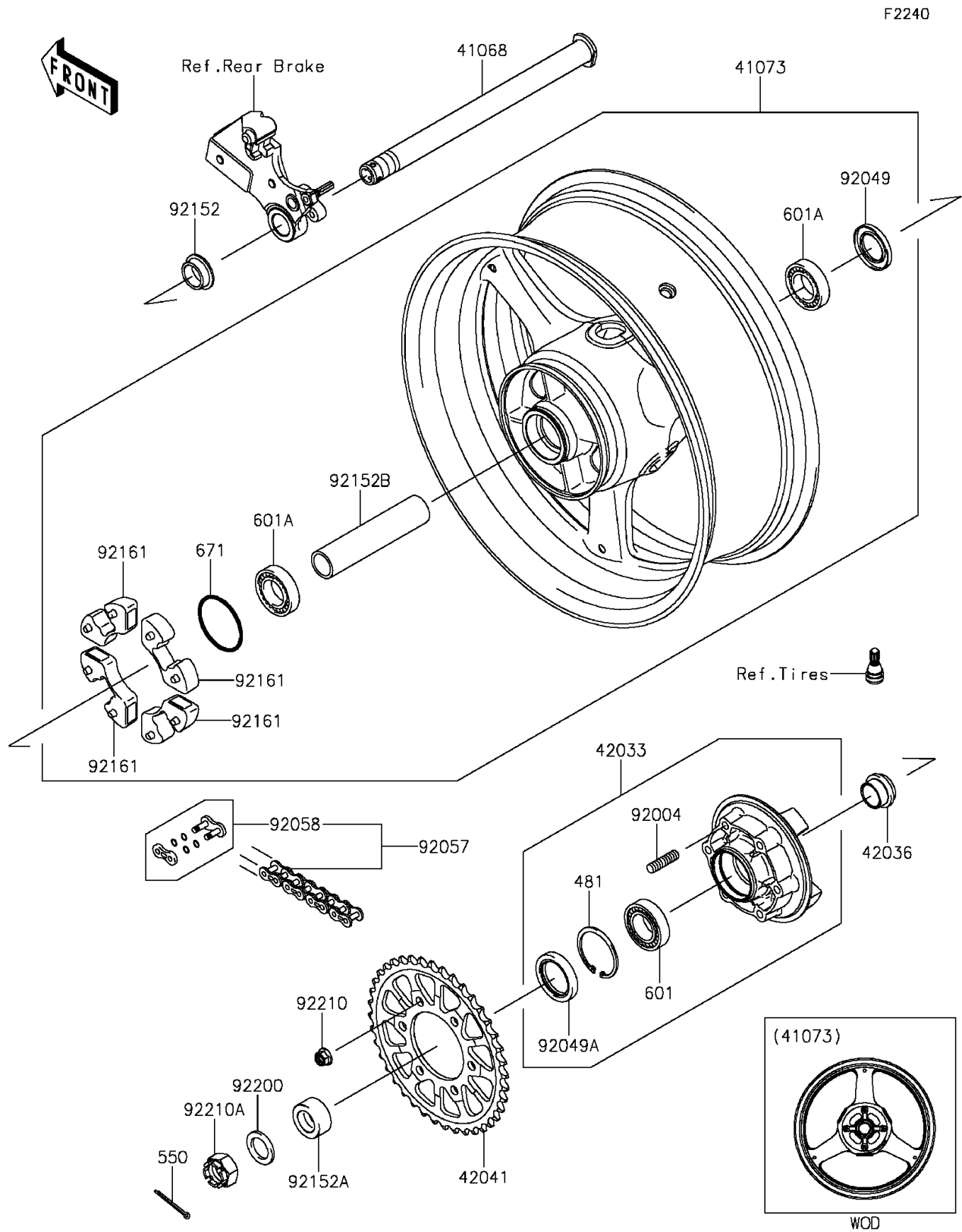


# 2015 Ninja® ZX™-10R ABS

## PARTS DIAGRAM

### Rear Wheel/Chain



# 2015 Ninja® ZX™-10R ABS

## PARTS LIST

### Rear Wheel/Chain

**ITEM NAME**

**PART NUMBER**

**QUANTITY**

---